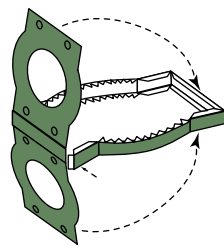
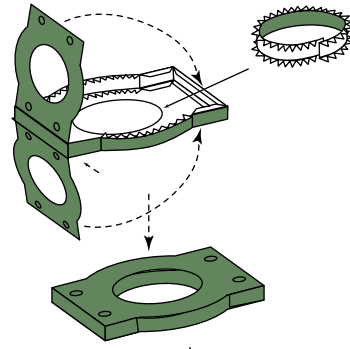


3,14



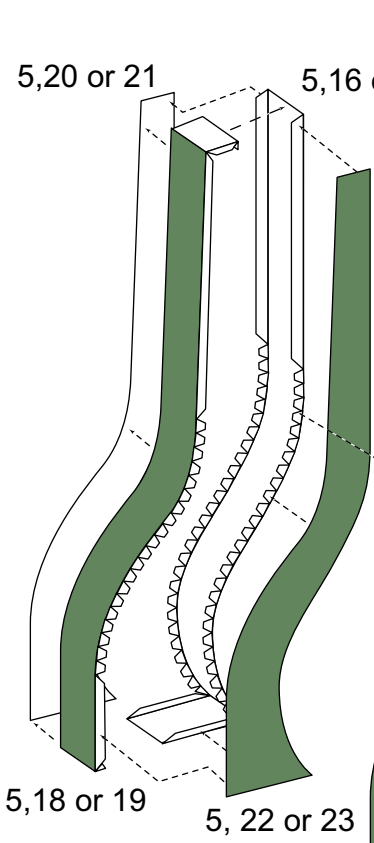
3,15



5,20 or 21

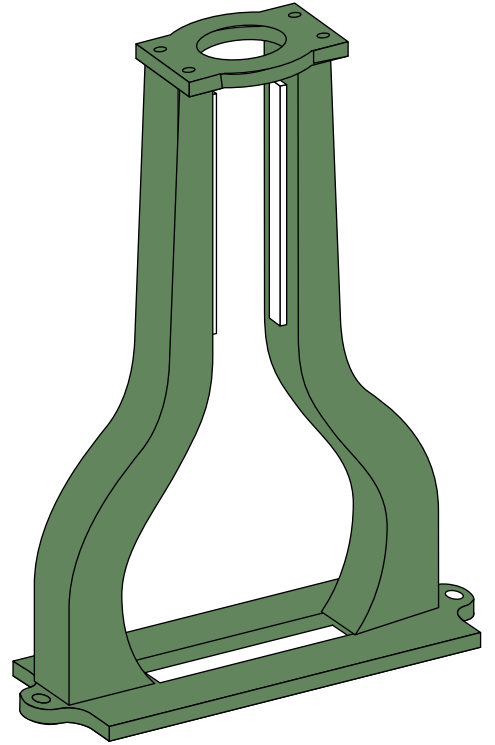
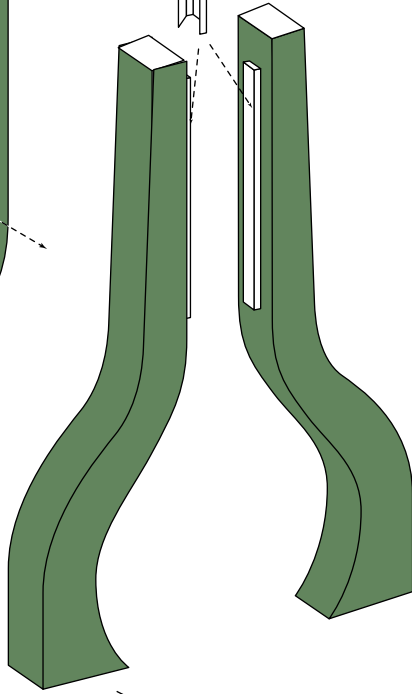
5,16 or 17

5,24 or 25

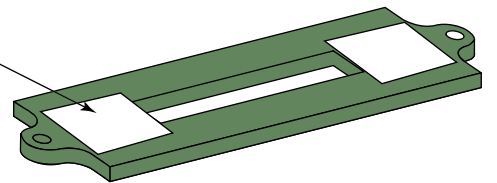
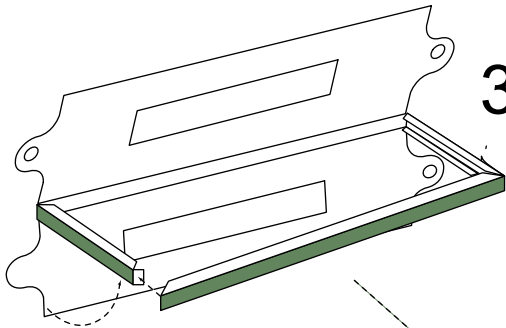


5,18 or 19

5,22 or 23



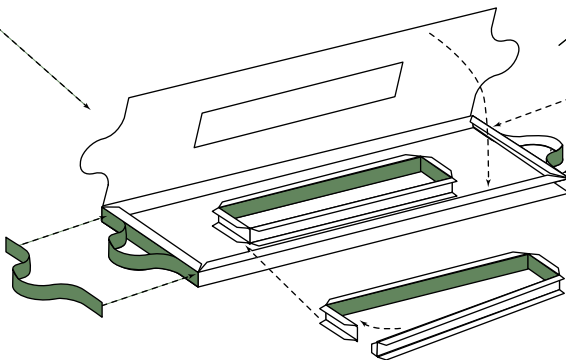
3,10



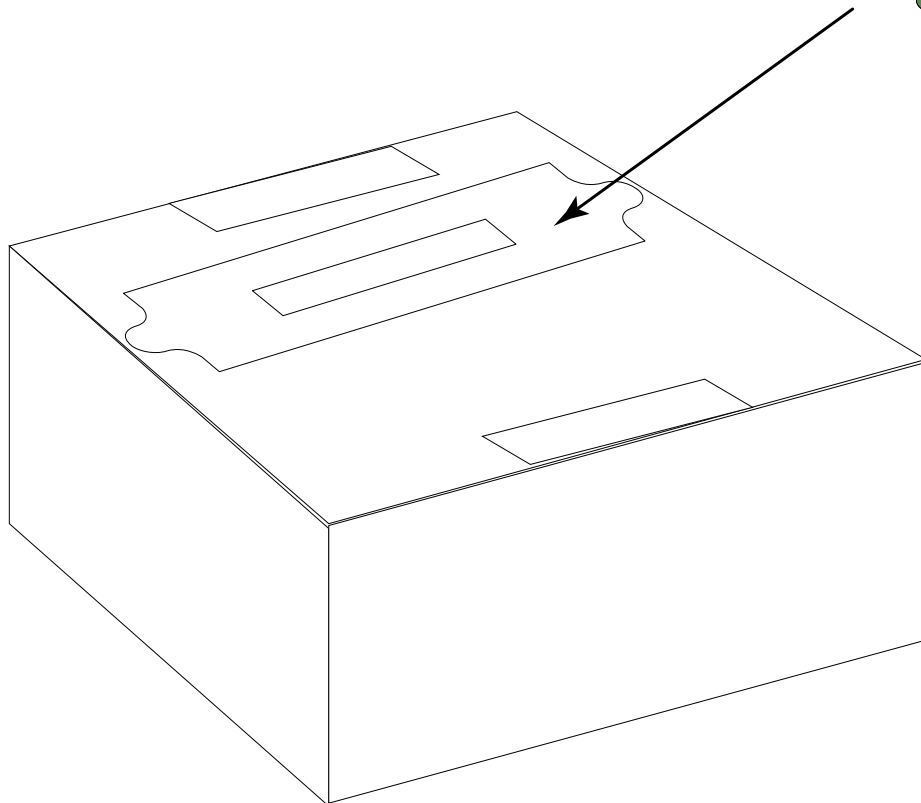
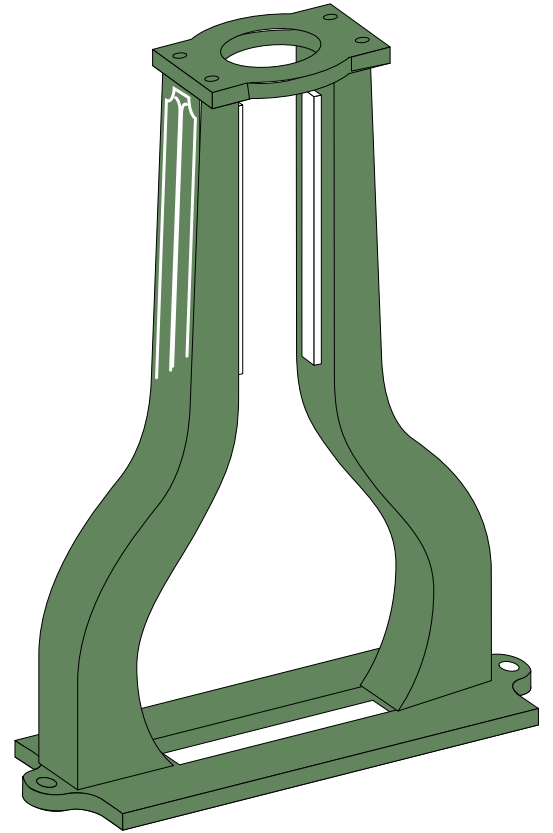
3,12

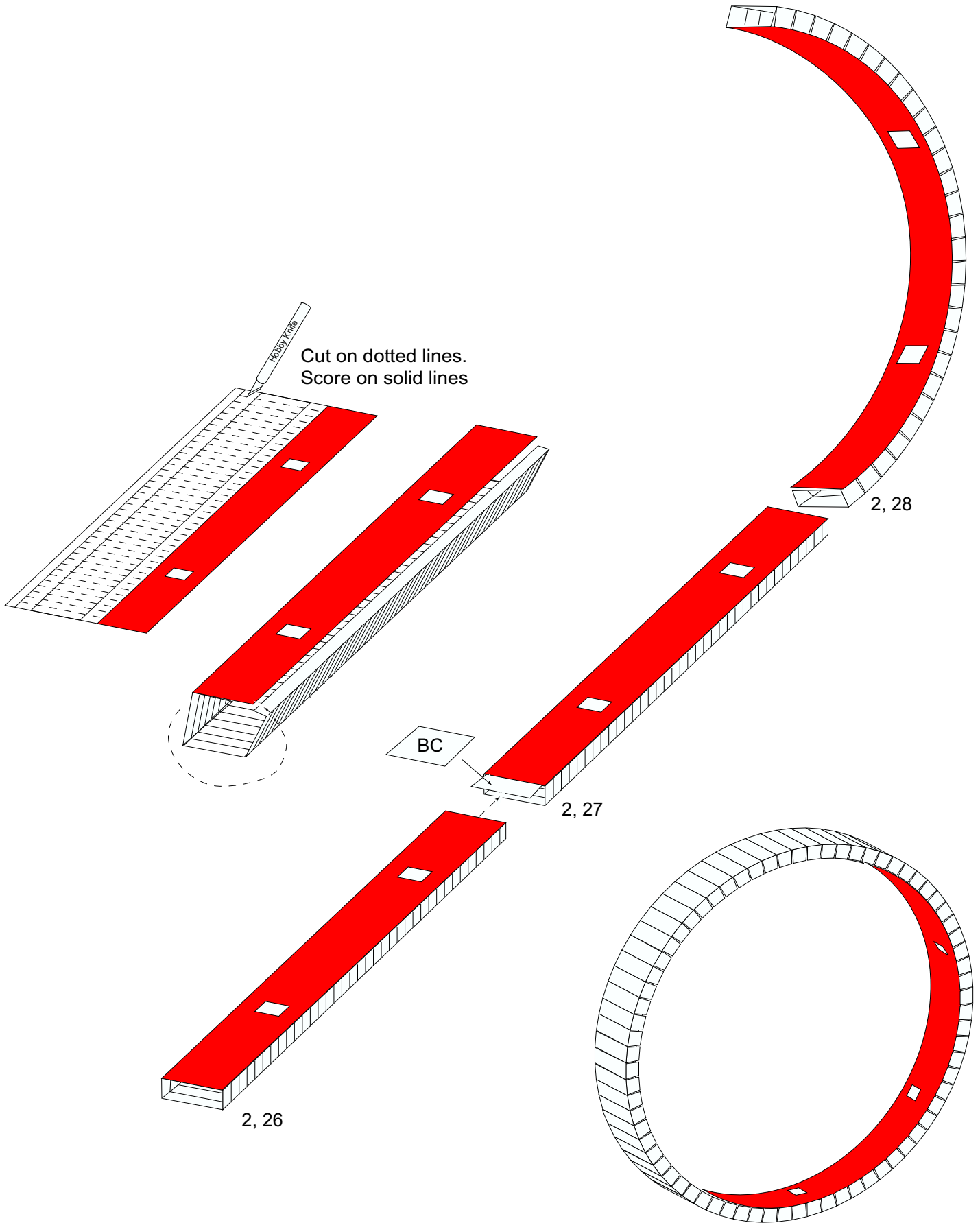
3,13

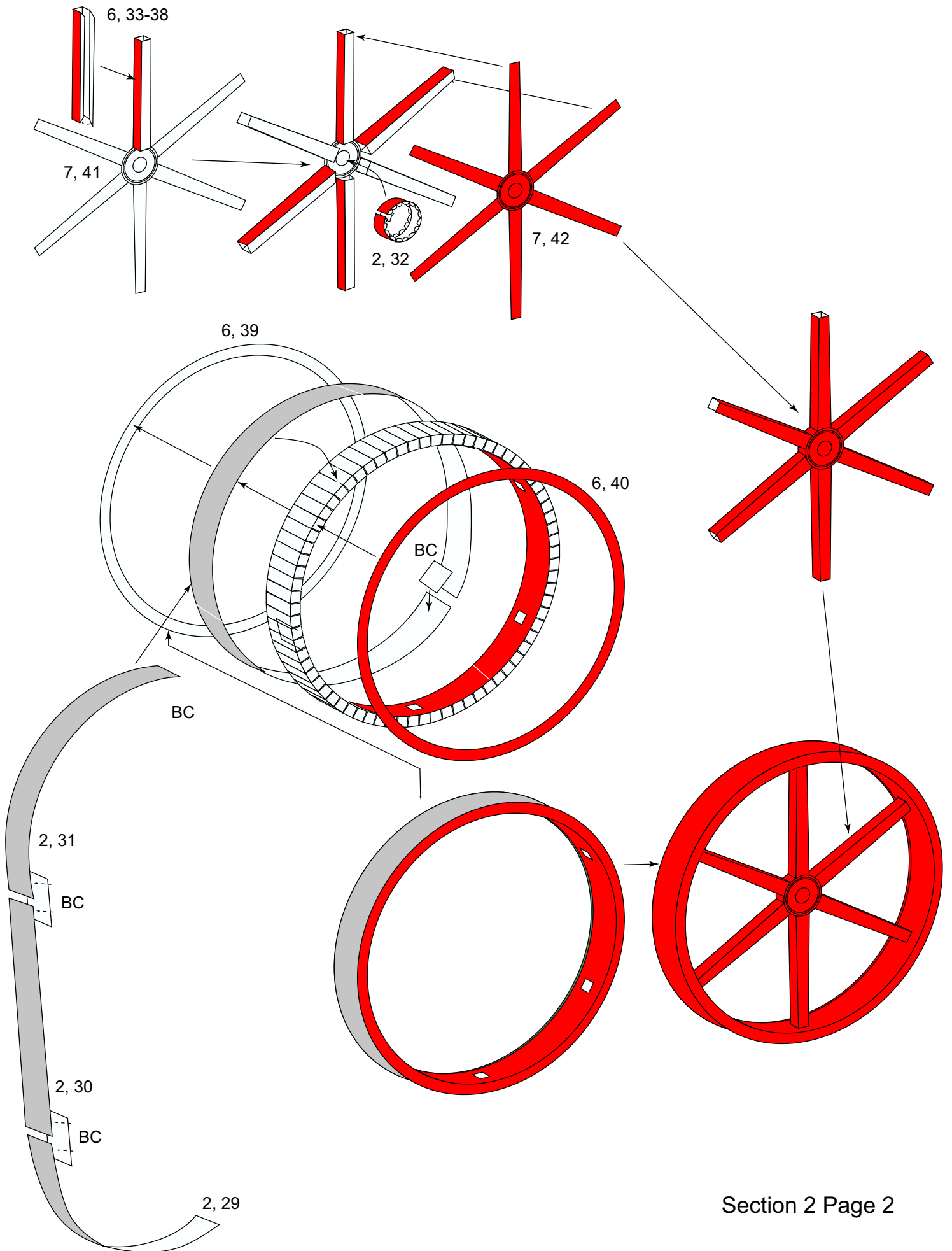
3,11

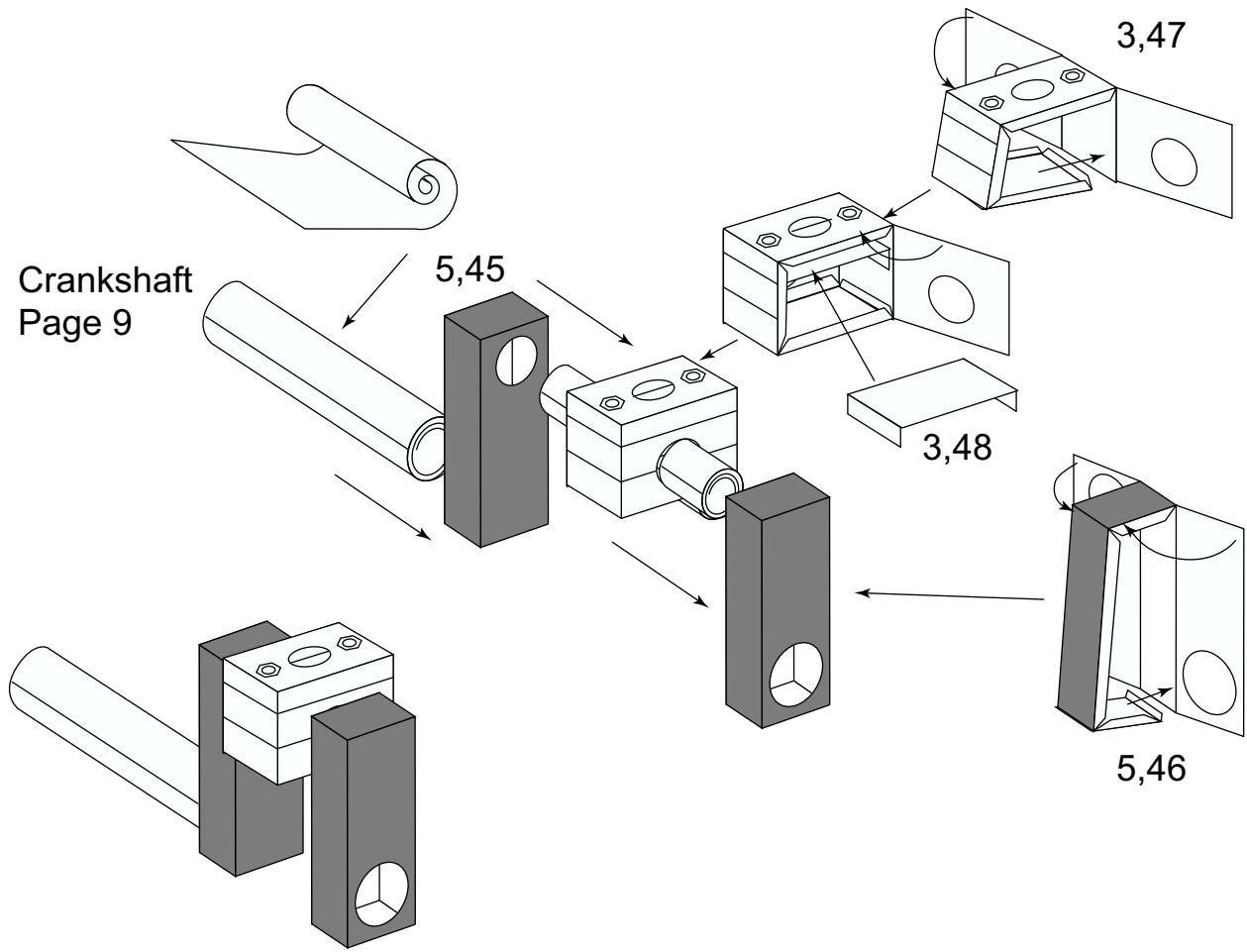
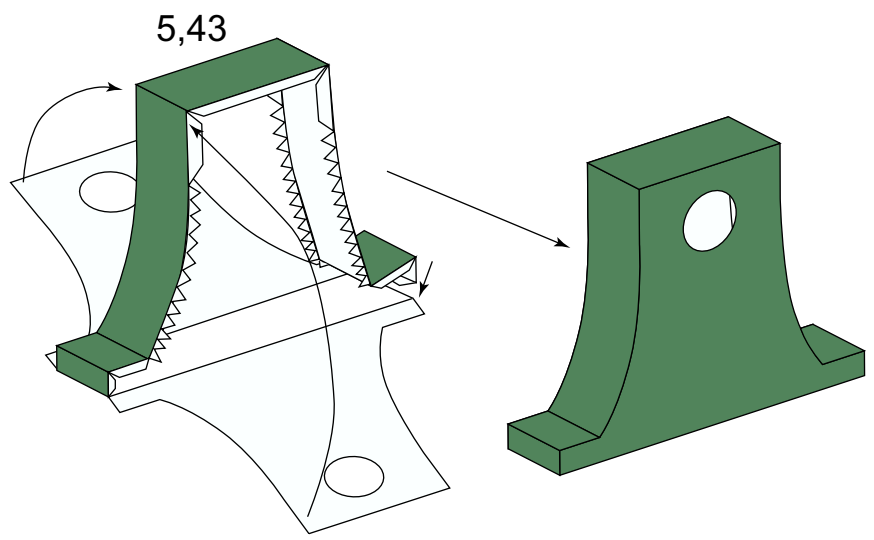


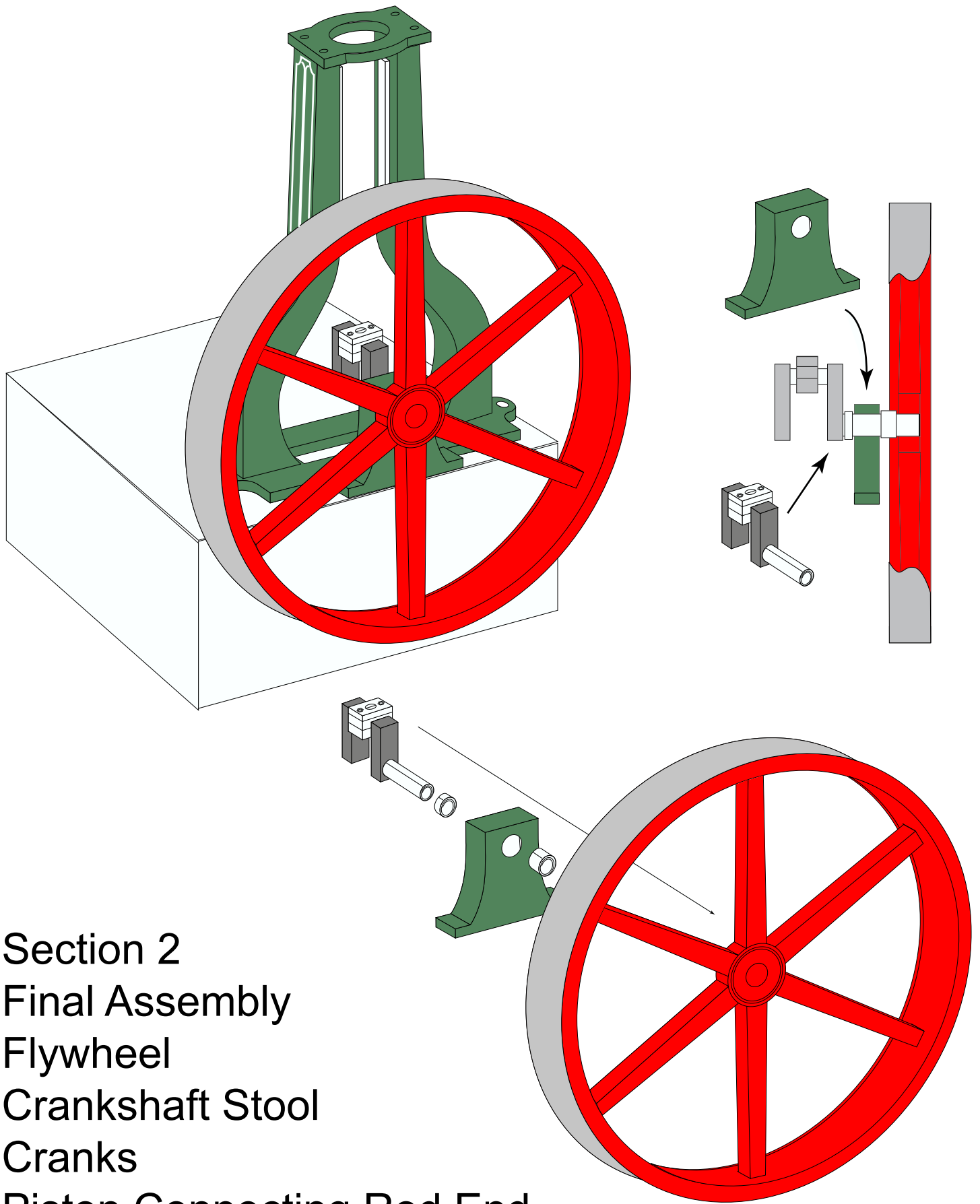
Section 1
Final Assembly
Base
A Frame



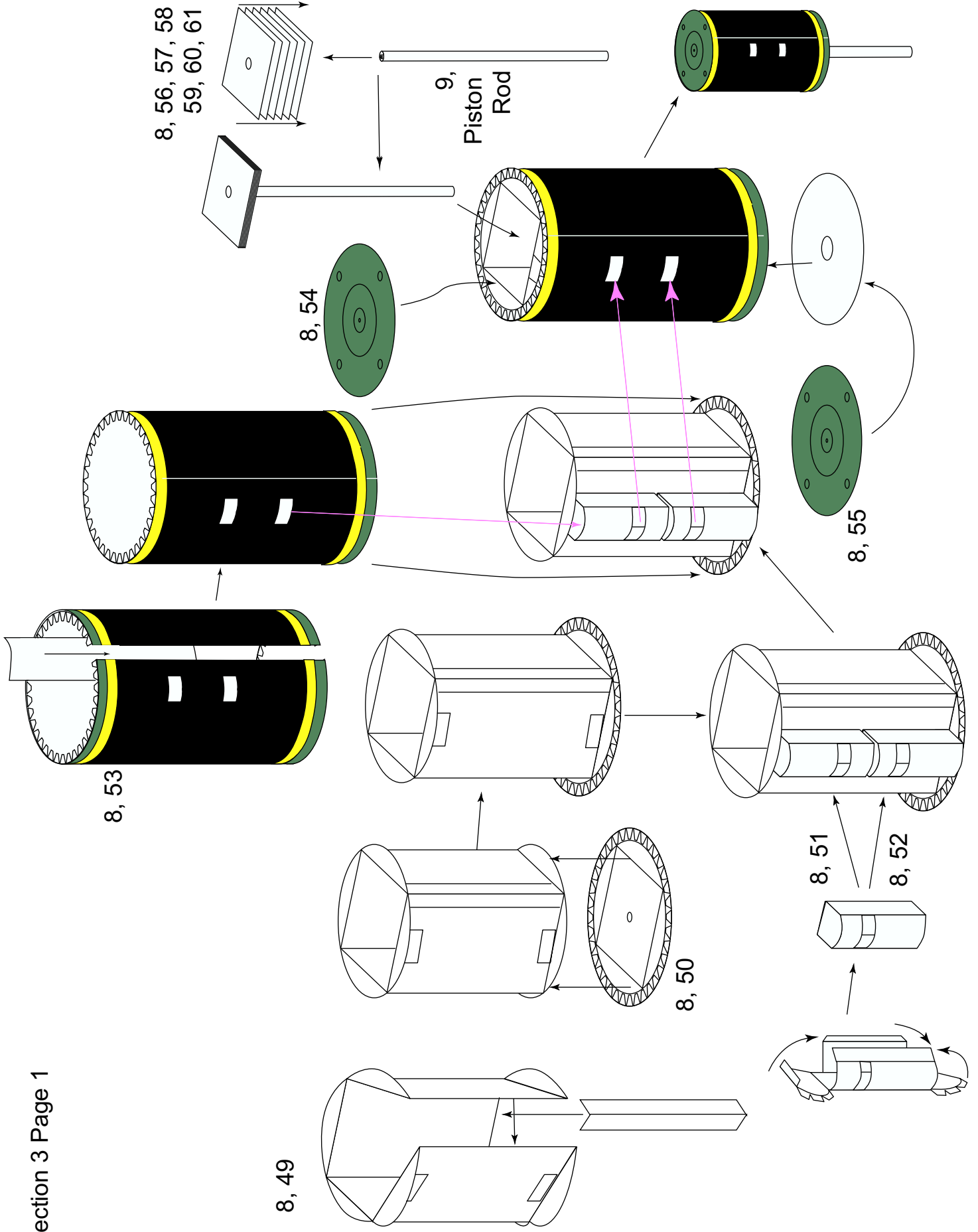


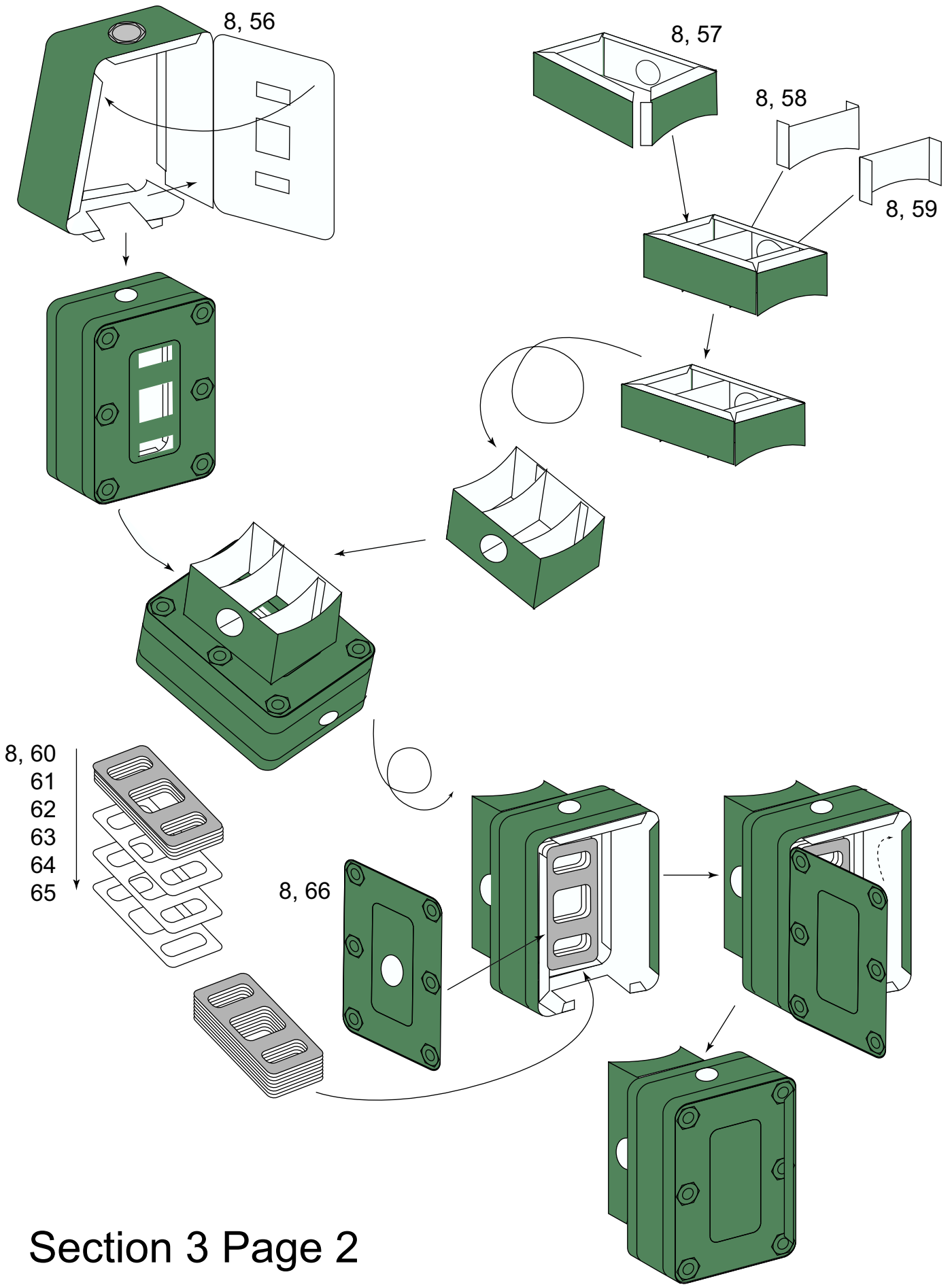


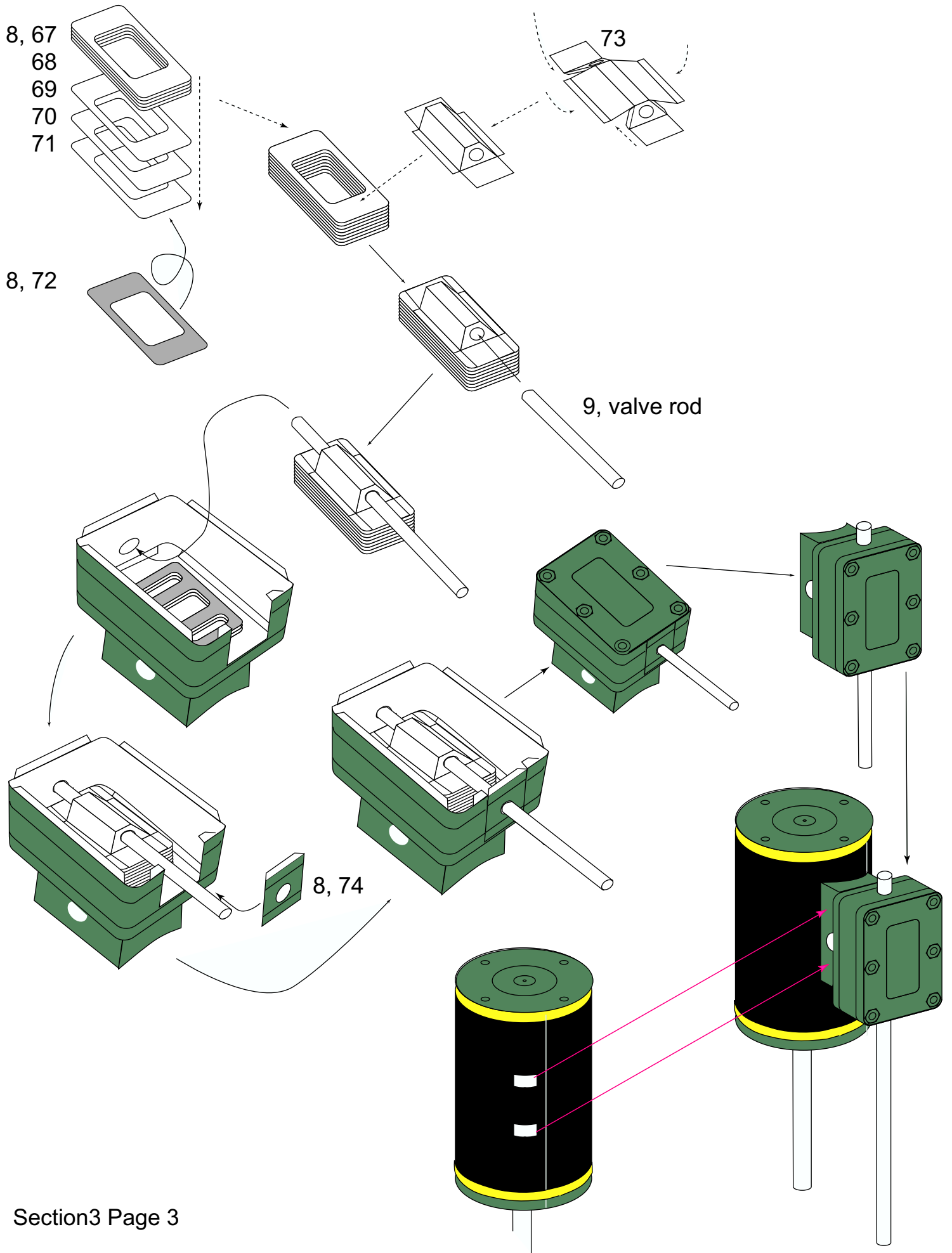


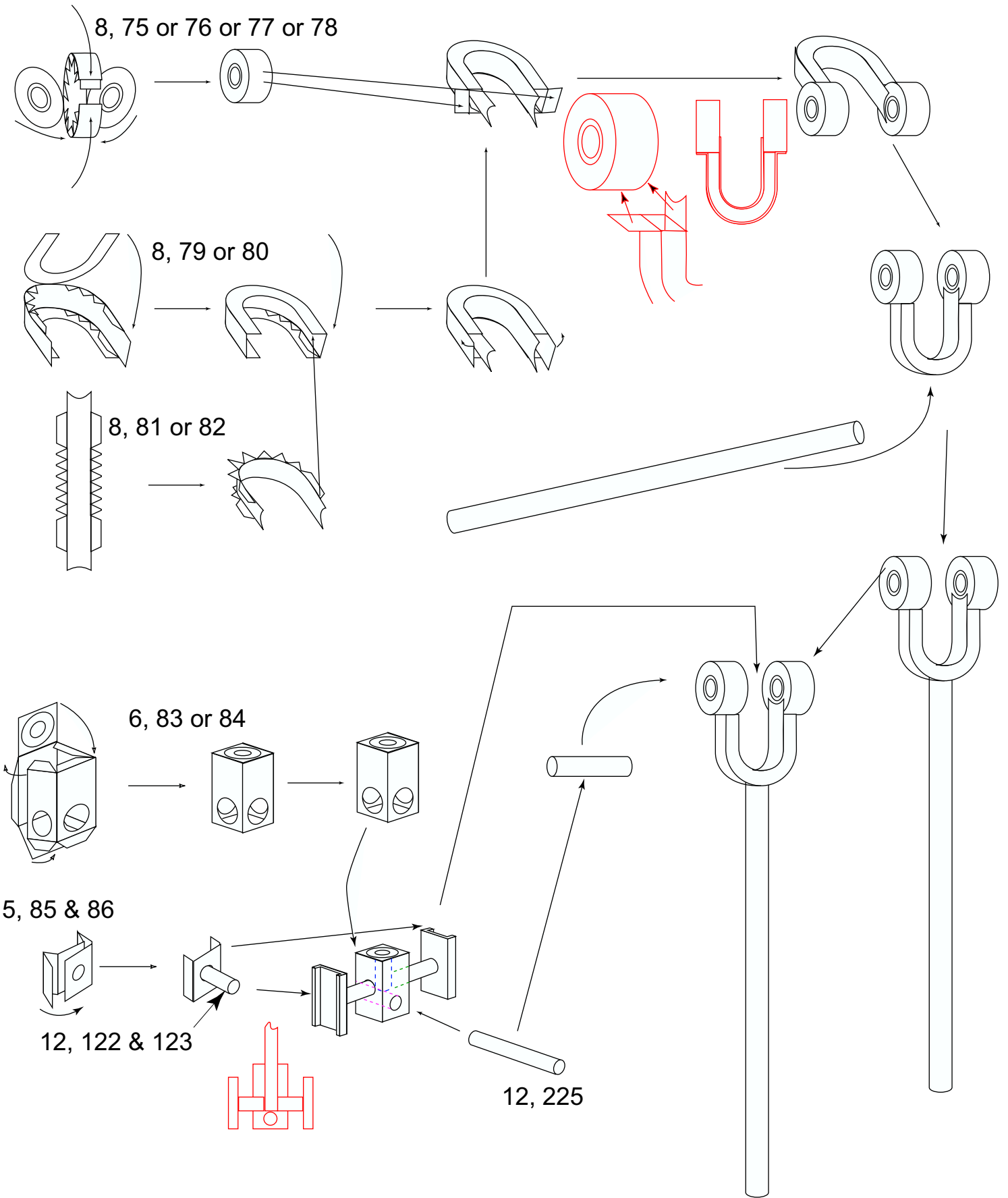


Section 2
Final Assembly
Flywheel
Crankshaft Stool
Crank
Piston Connecting Rod End

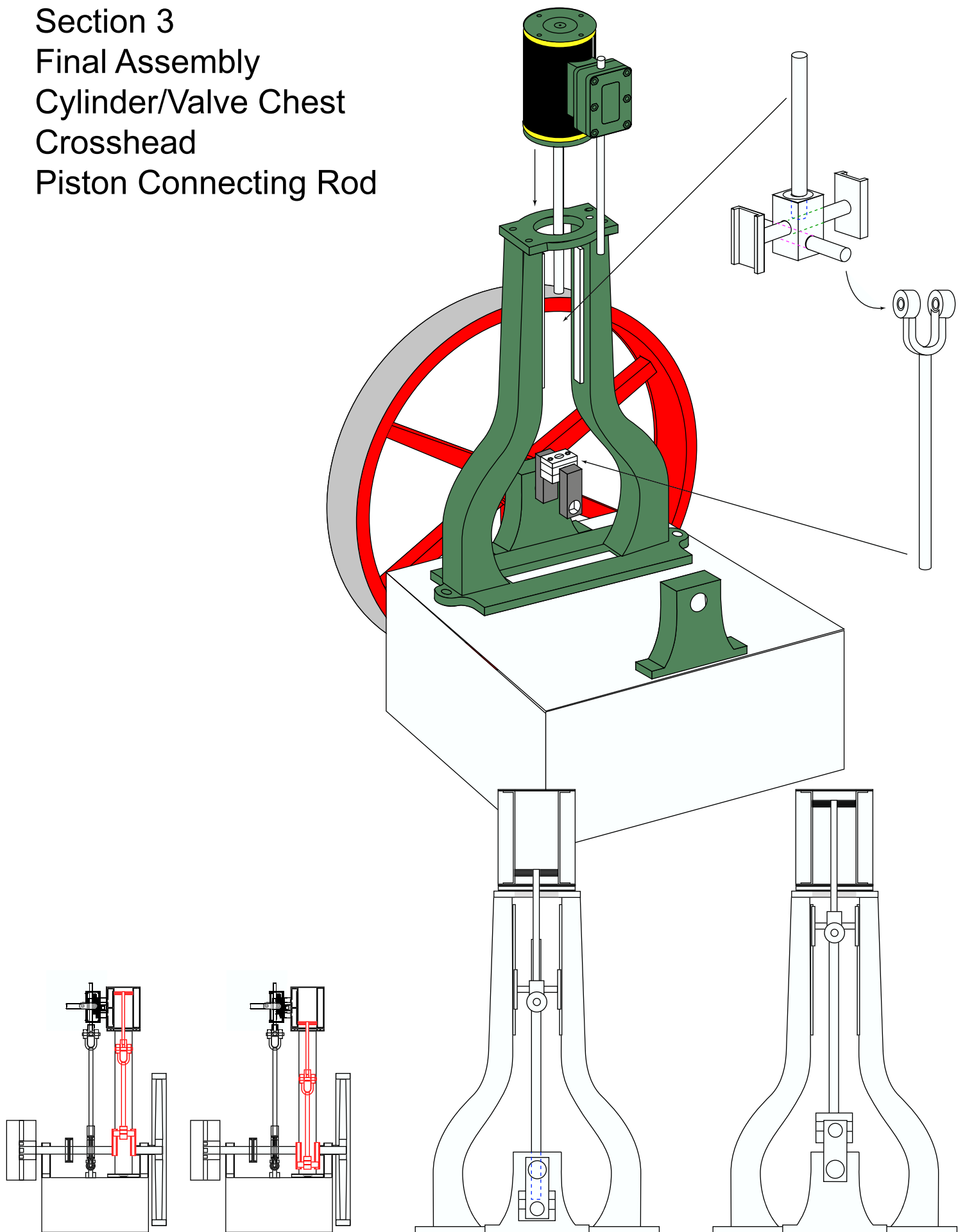


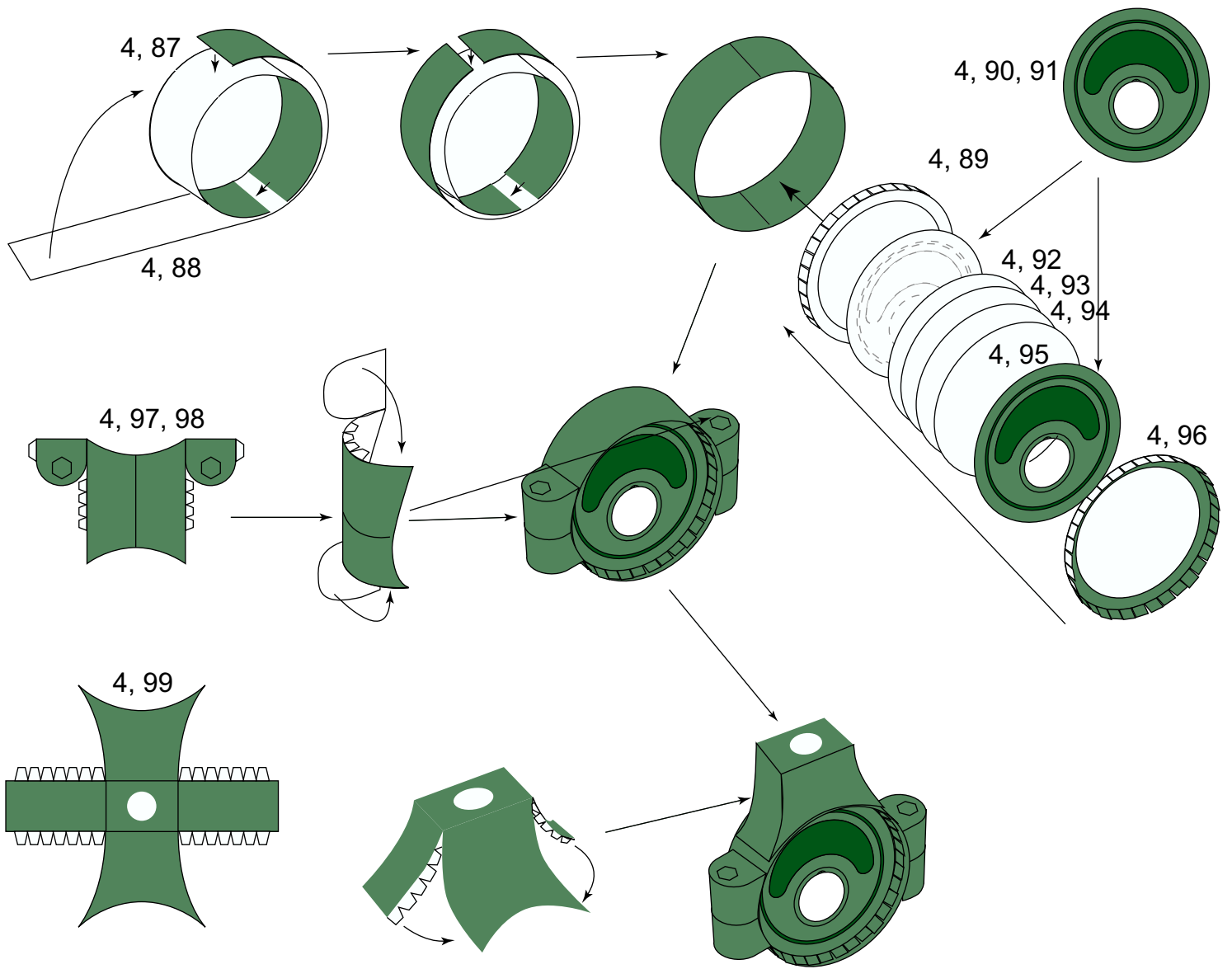


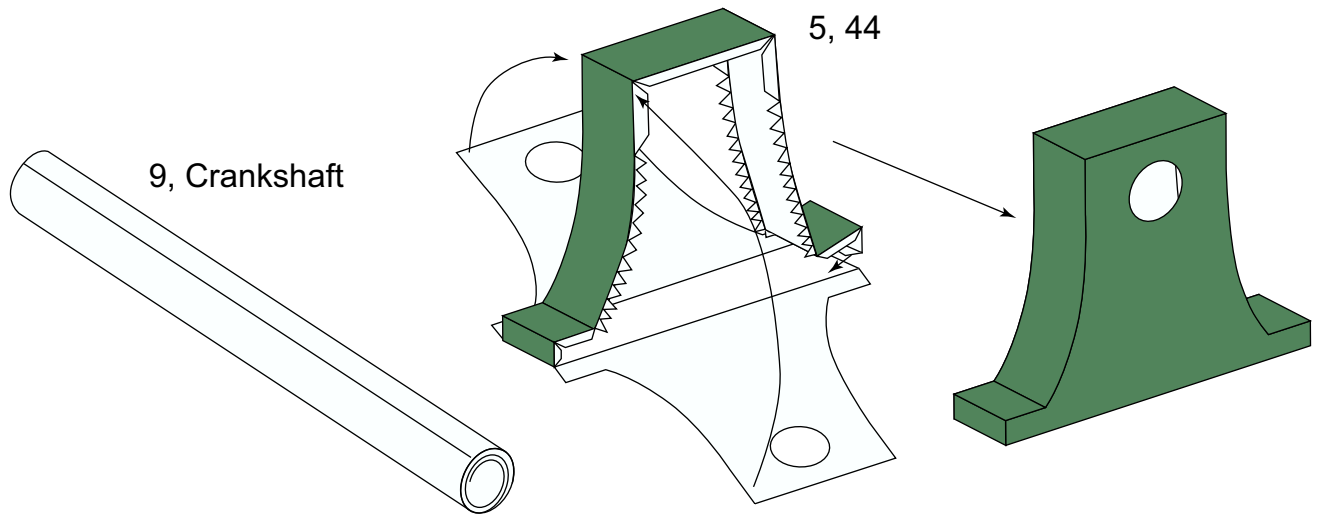
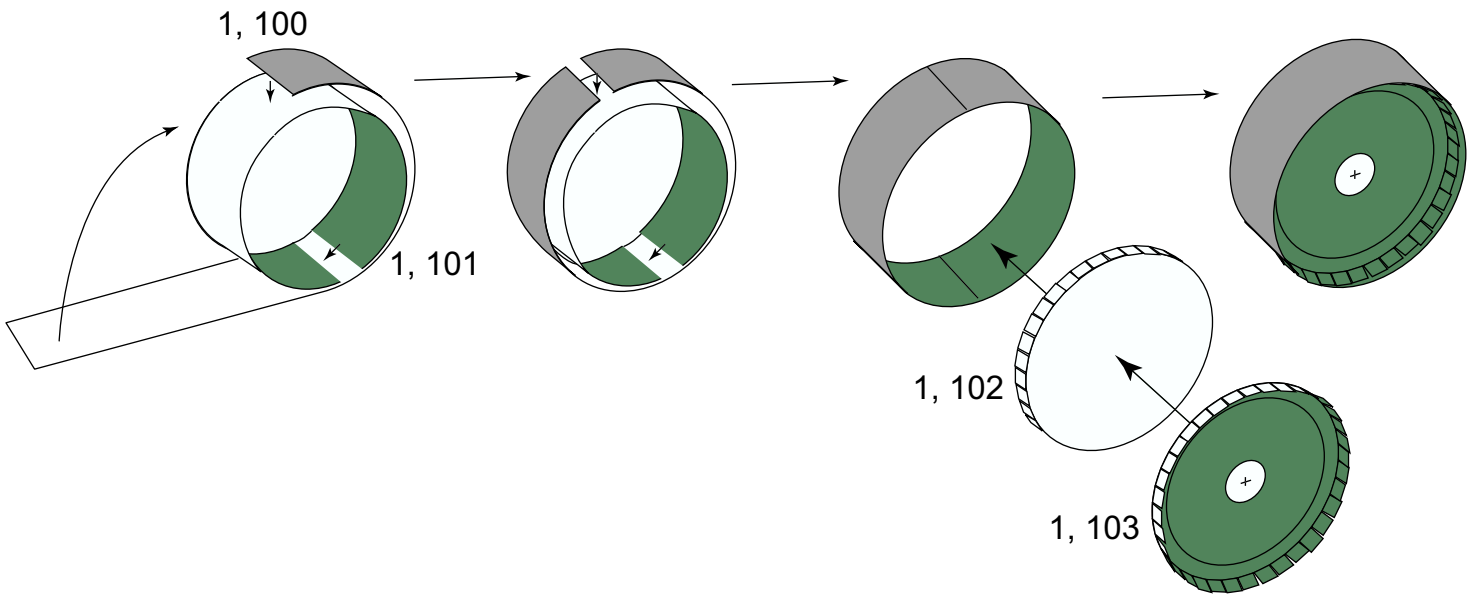




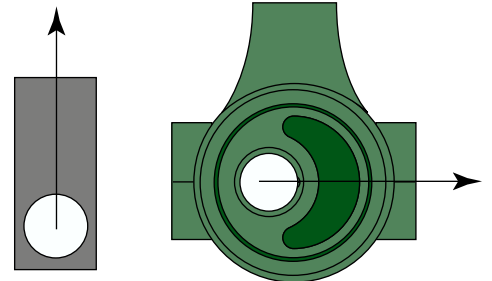
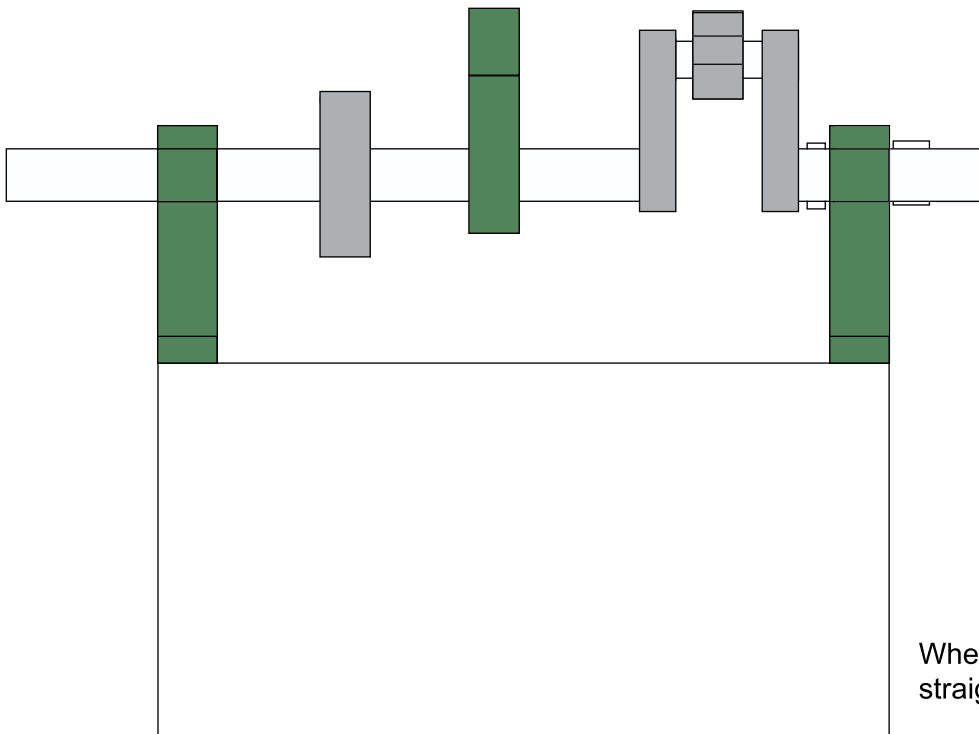
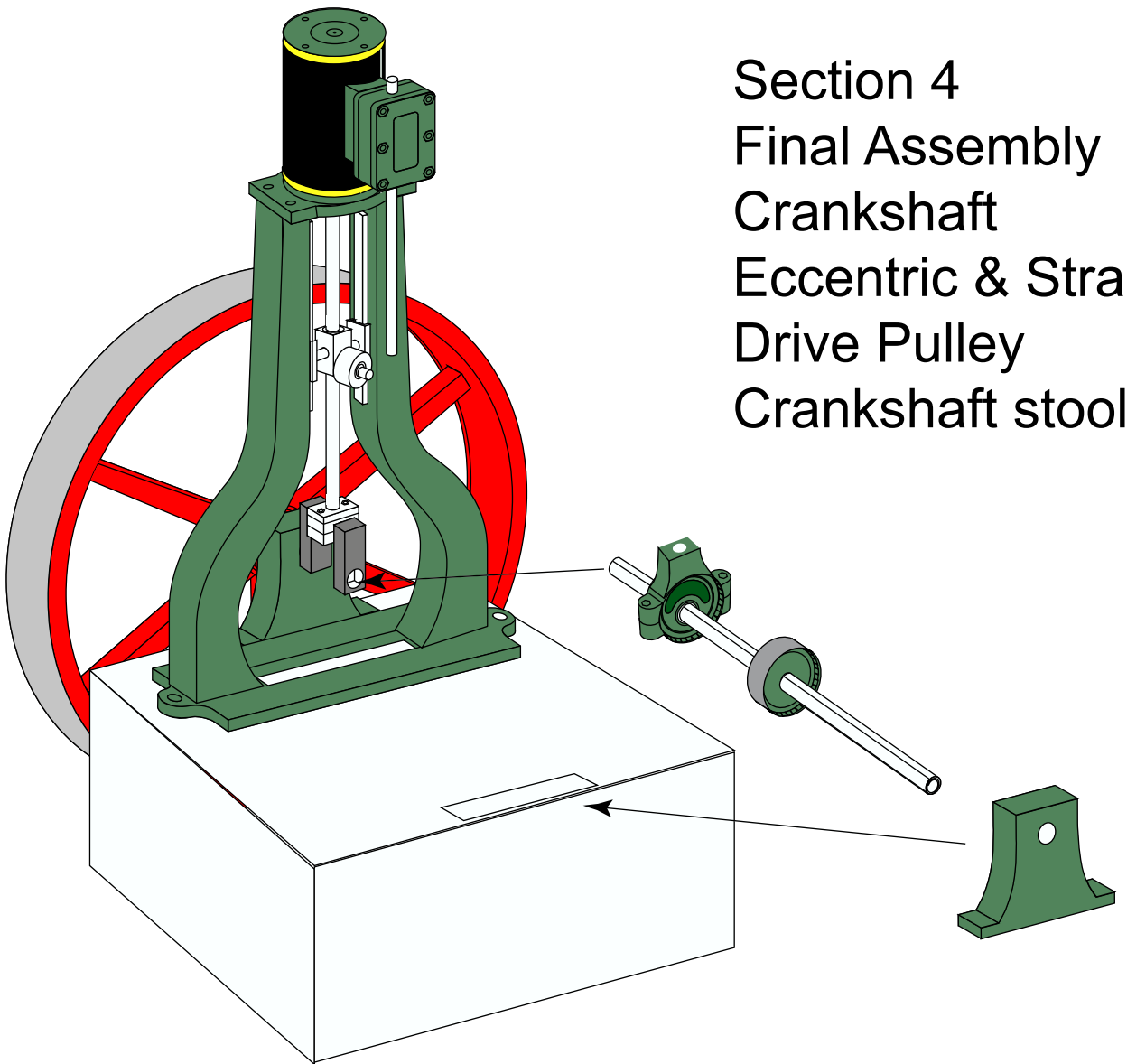
Section 3
Final Assembly
Cylinder/Valve Chest
Crosshead
Piston Connecting Rod



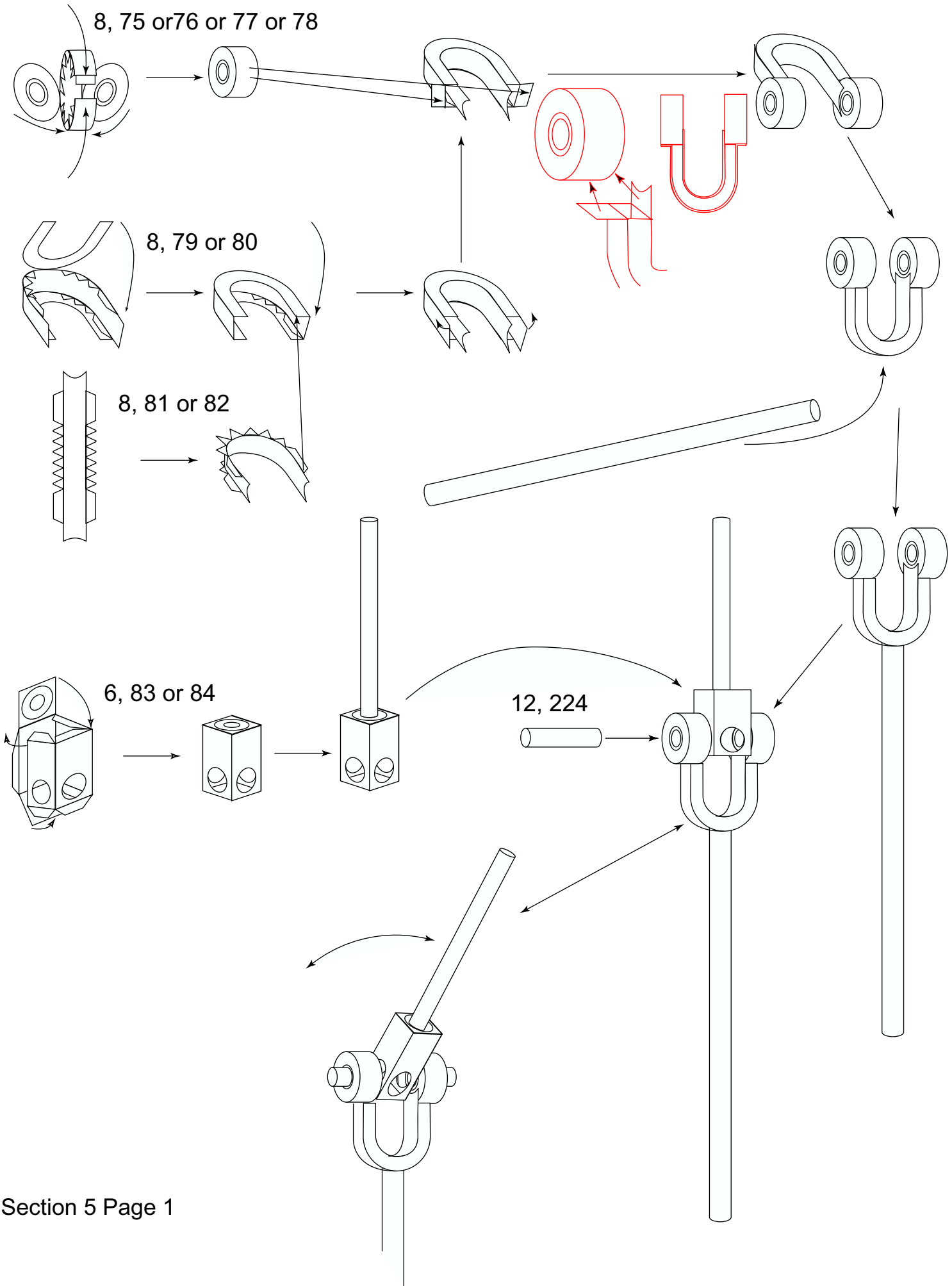




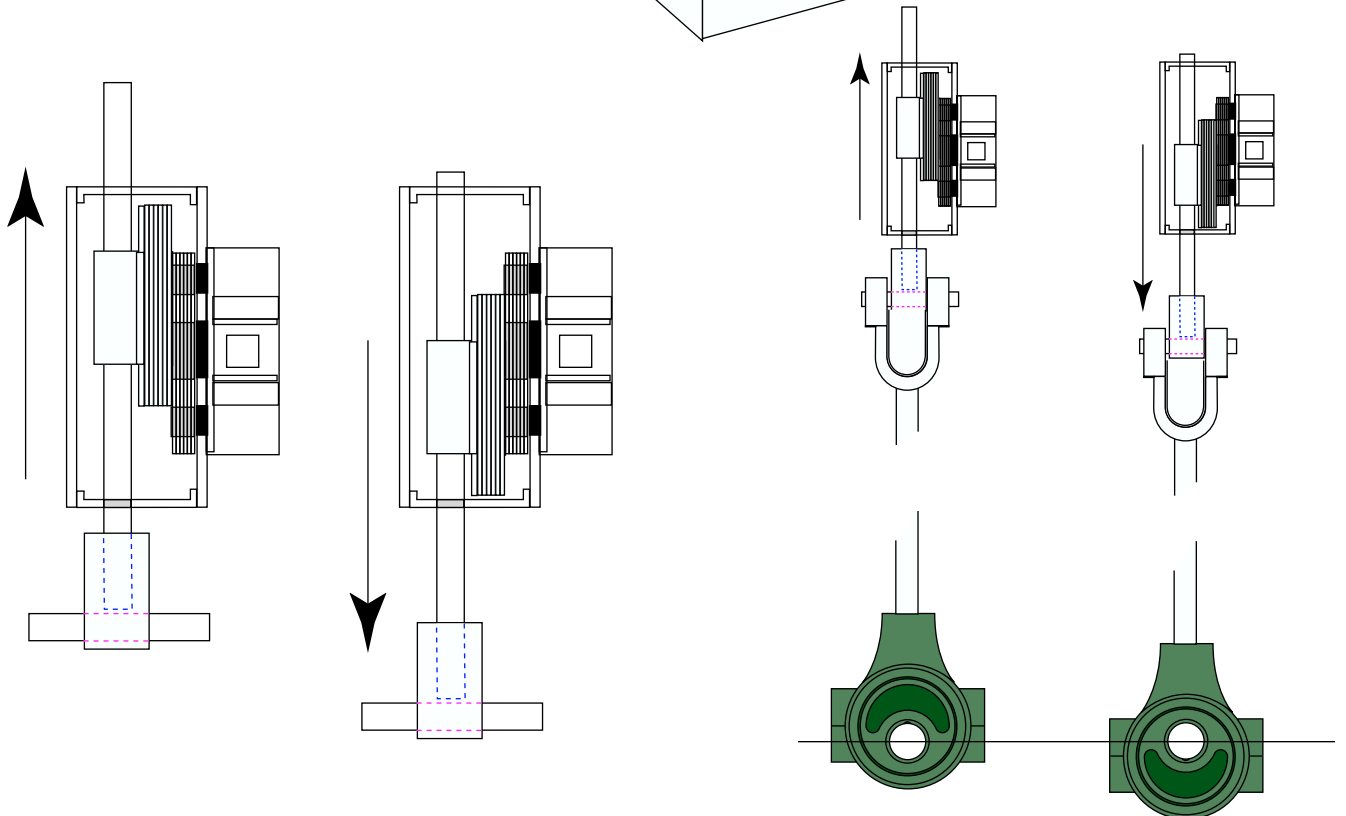
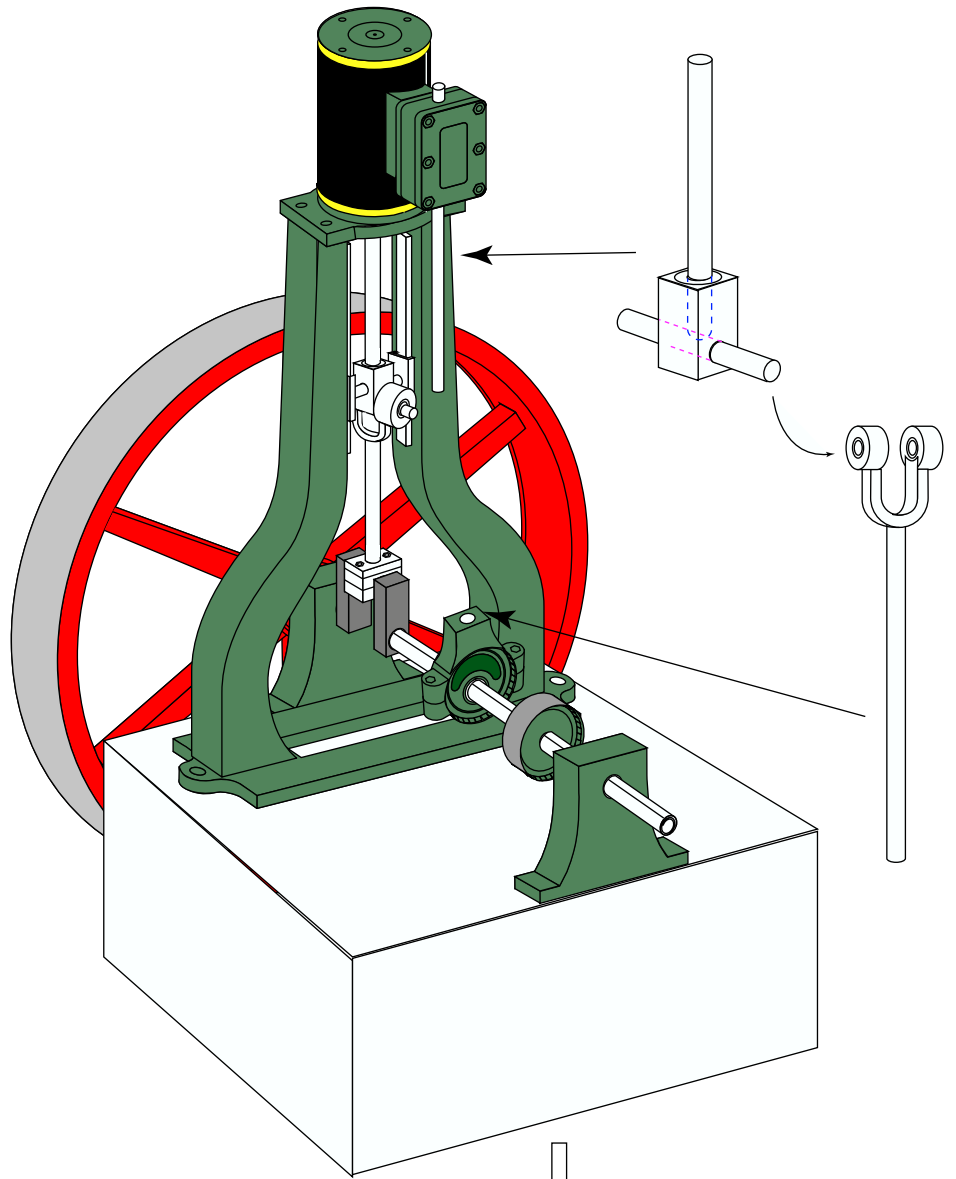
Section 4
Final Assembly
Crankshaft
Eccentric & Strap
Drive Pulley
Crankshaft stool

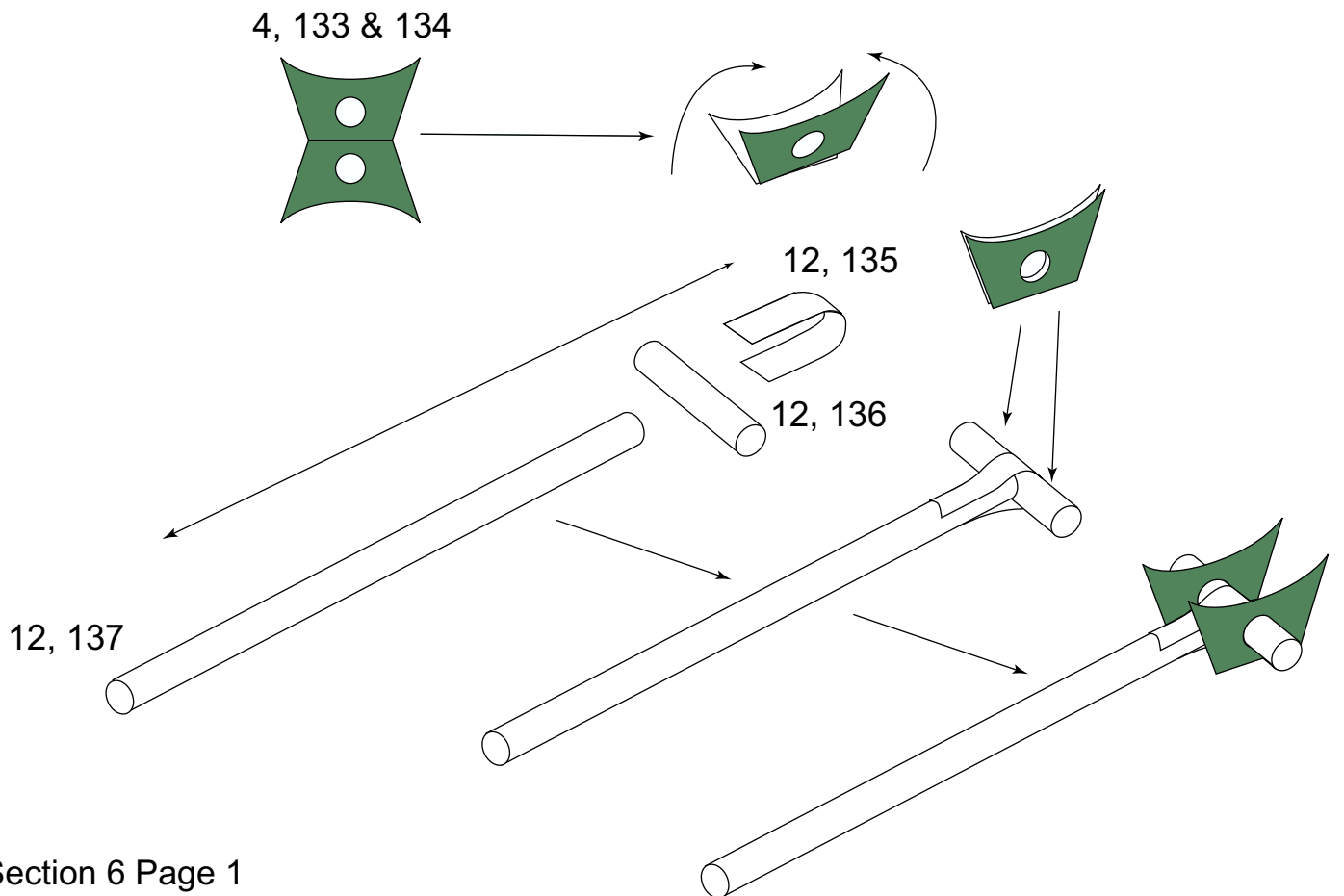
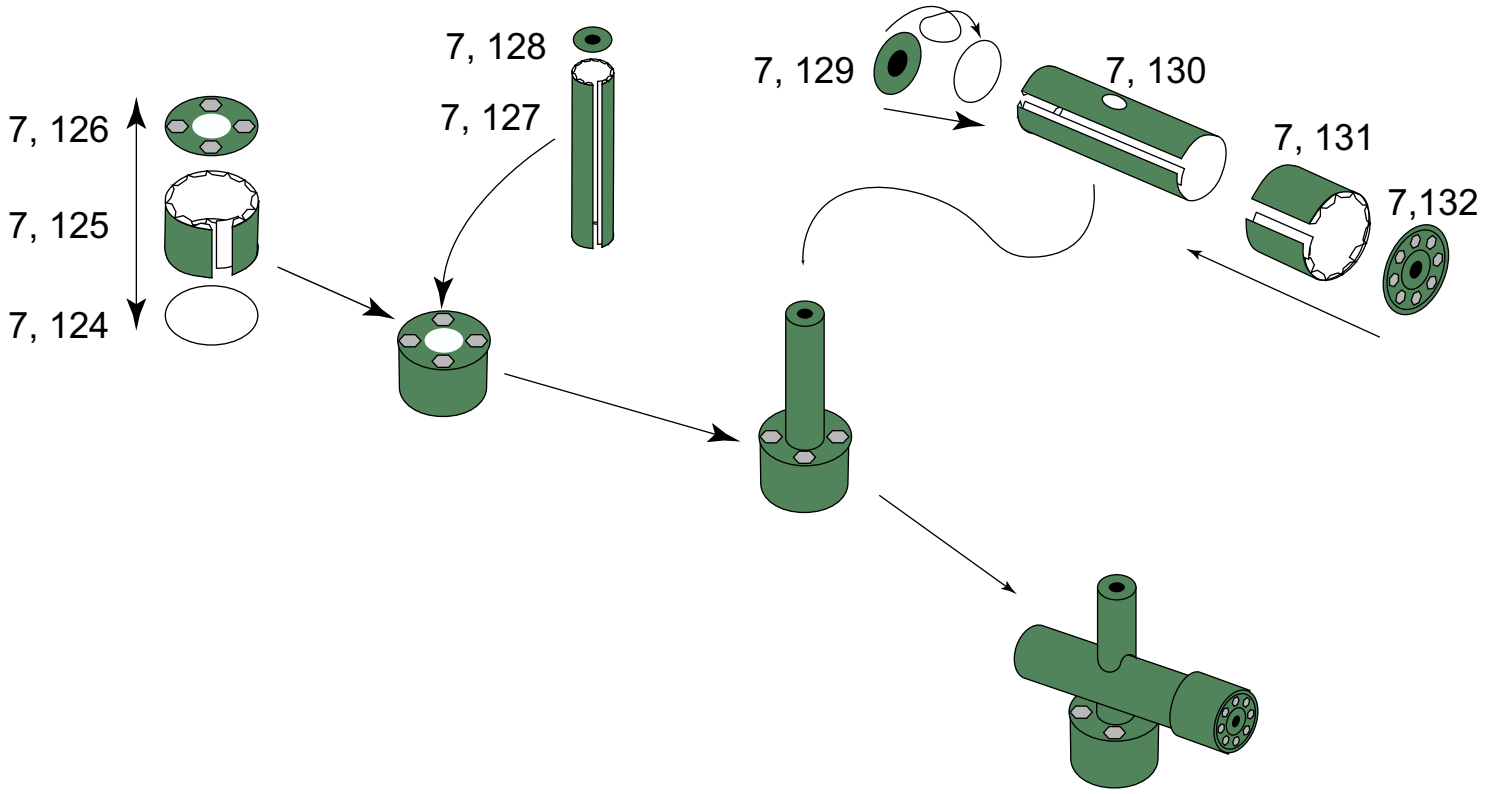


When the crank is straight up...
...the eccentric is advanced 90°.

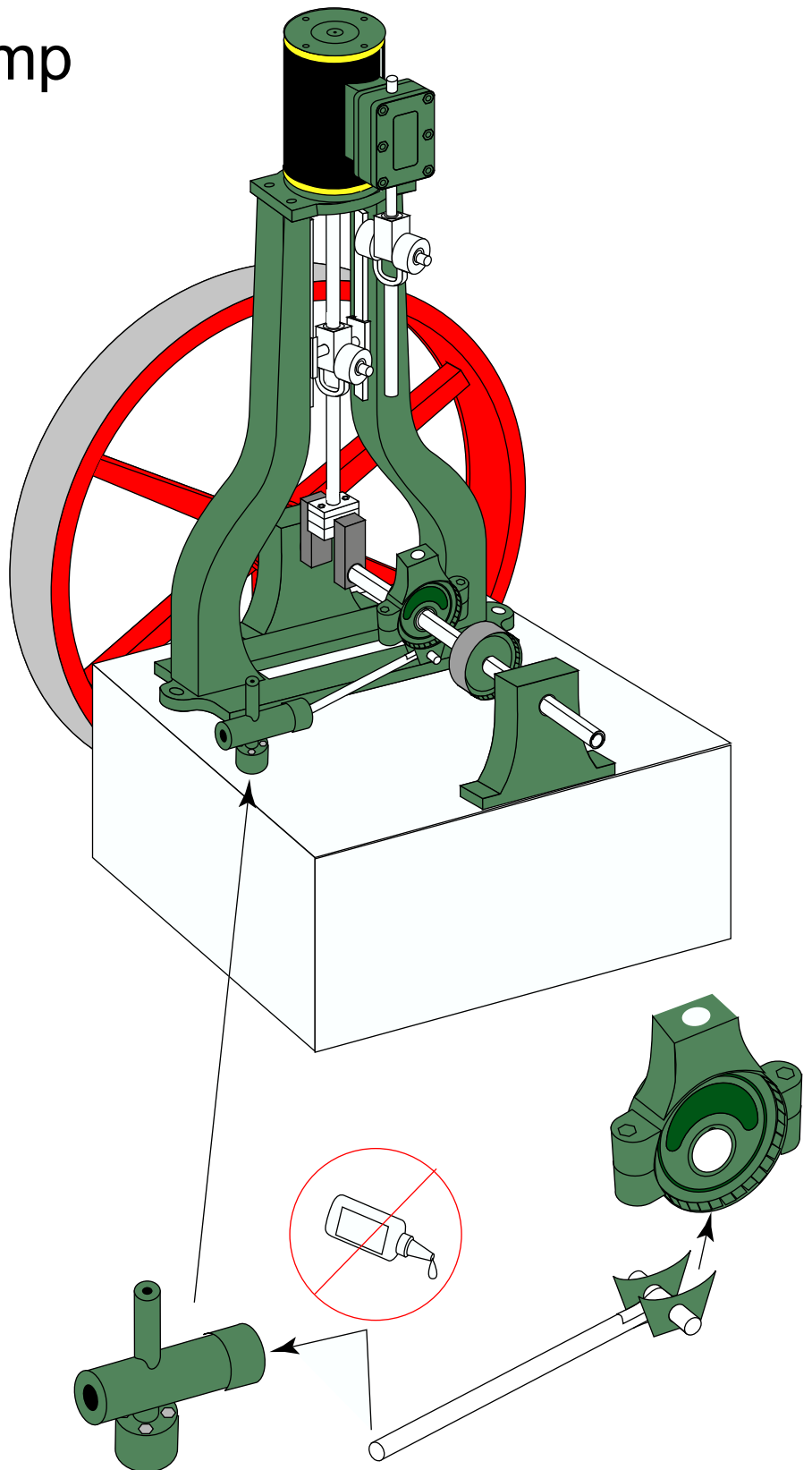


Section 5 Final Assembly Valve Linkage

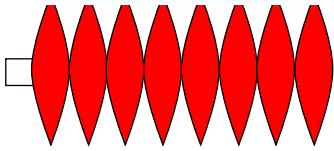




Section 6
Final Assembly
Boiler Feed Pump
Link Rod

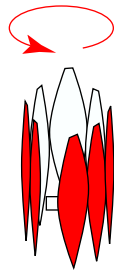


1.

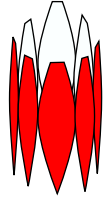


10, 133 & 134

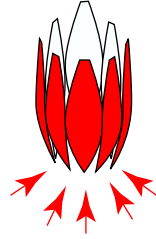
2.



3.



4.



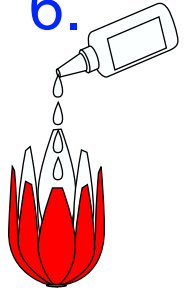
5.

Allow to dry.



10, 137 & 138

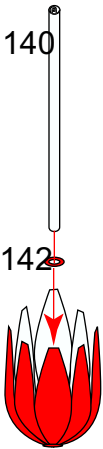
6.



Fill half way.

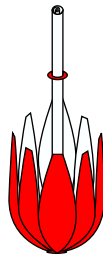
7.

10, 139 & 140



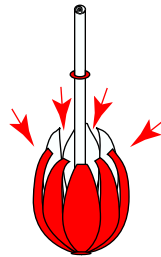
10, 141, 142

8.

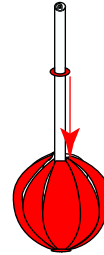


Let dry overnight

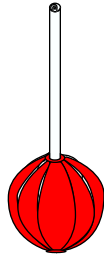
9.



10.

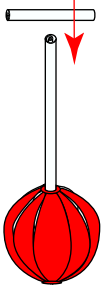


11.



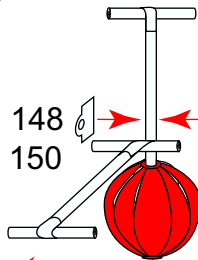
12.

Scrap



10, 143, 144

13c.

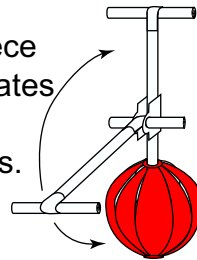


10, 149, 150
or 151, 152

10, 147, 148
or 149 & 150

14.

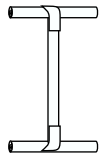
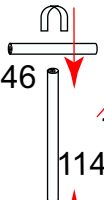
Piece
rotates
on
axis.



Make two!

Scrap

10,
145 & 146

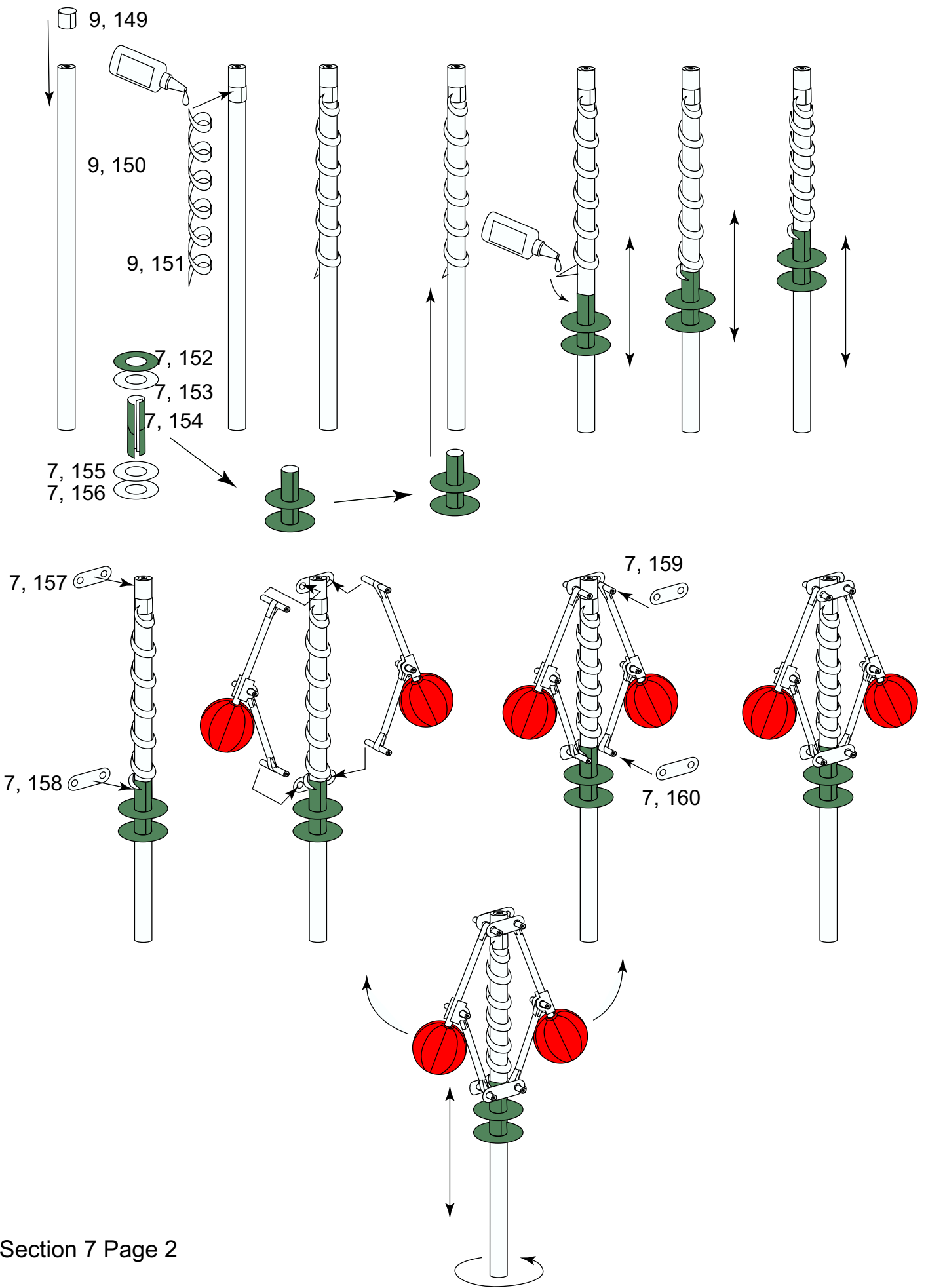


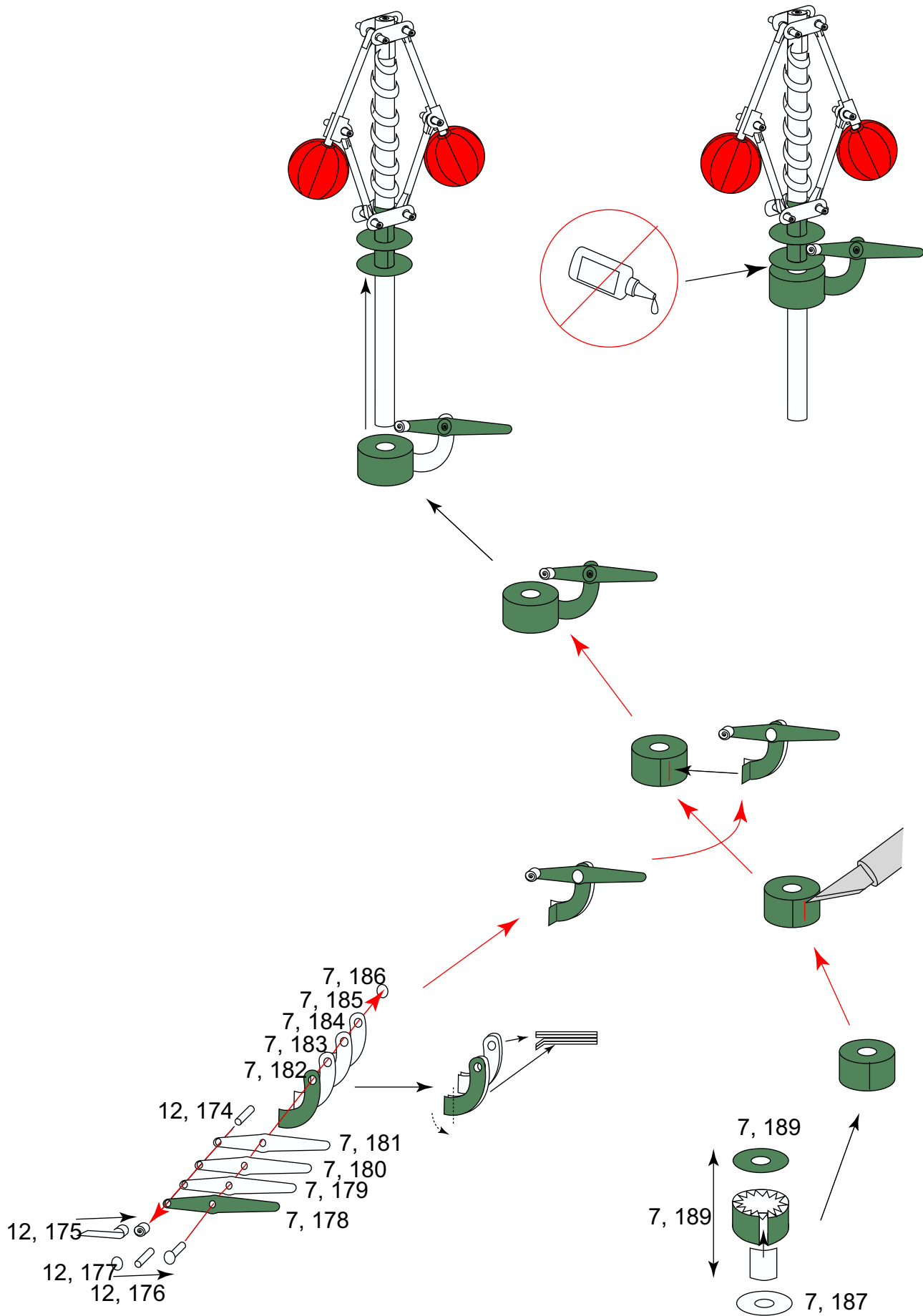
13b.

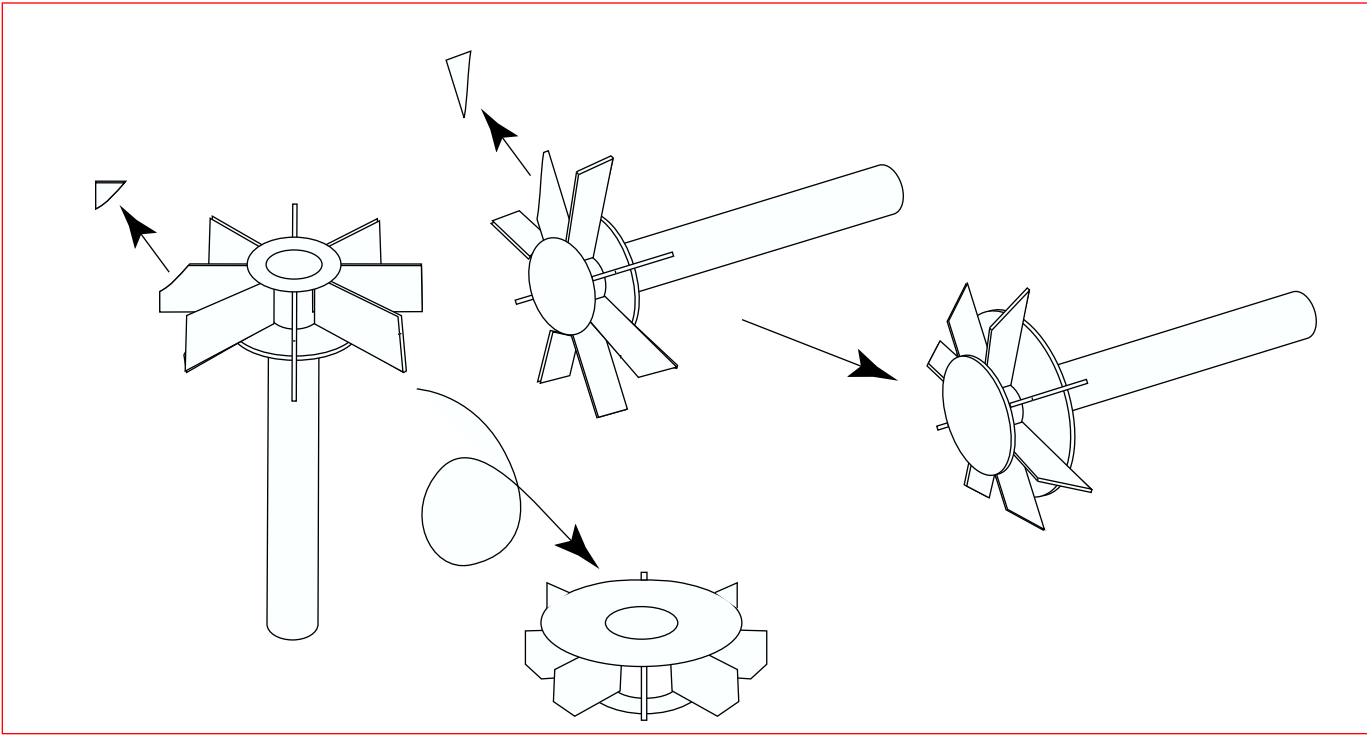
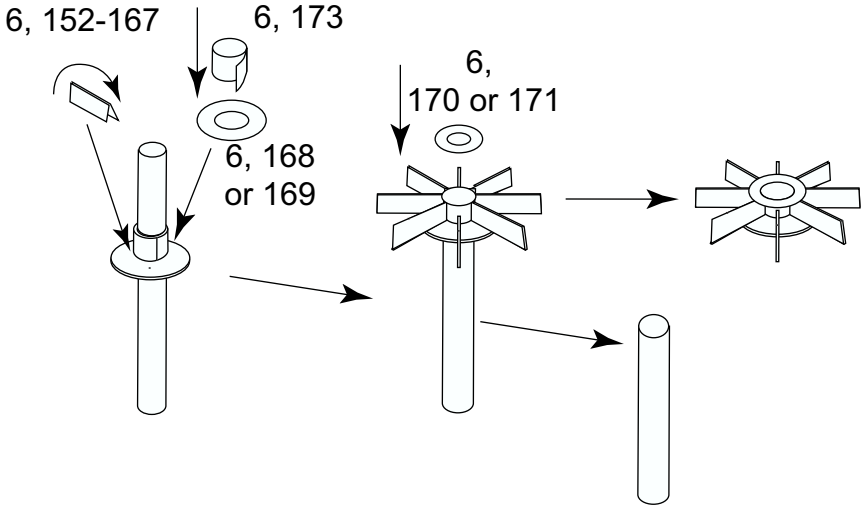
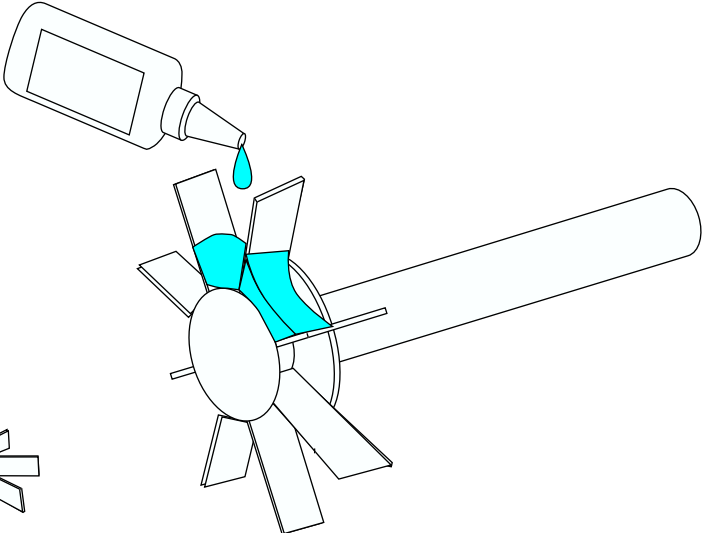
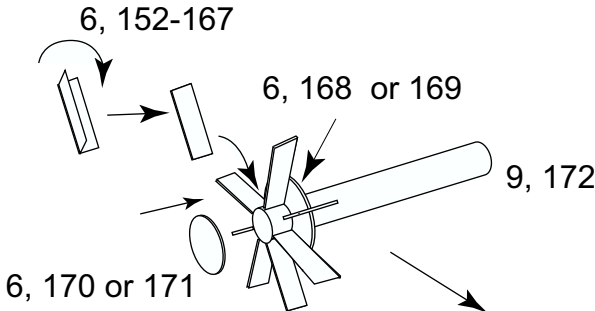
10,
1143, 144

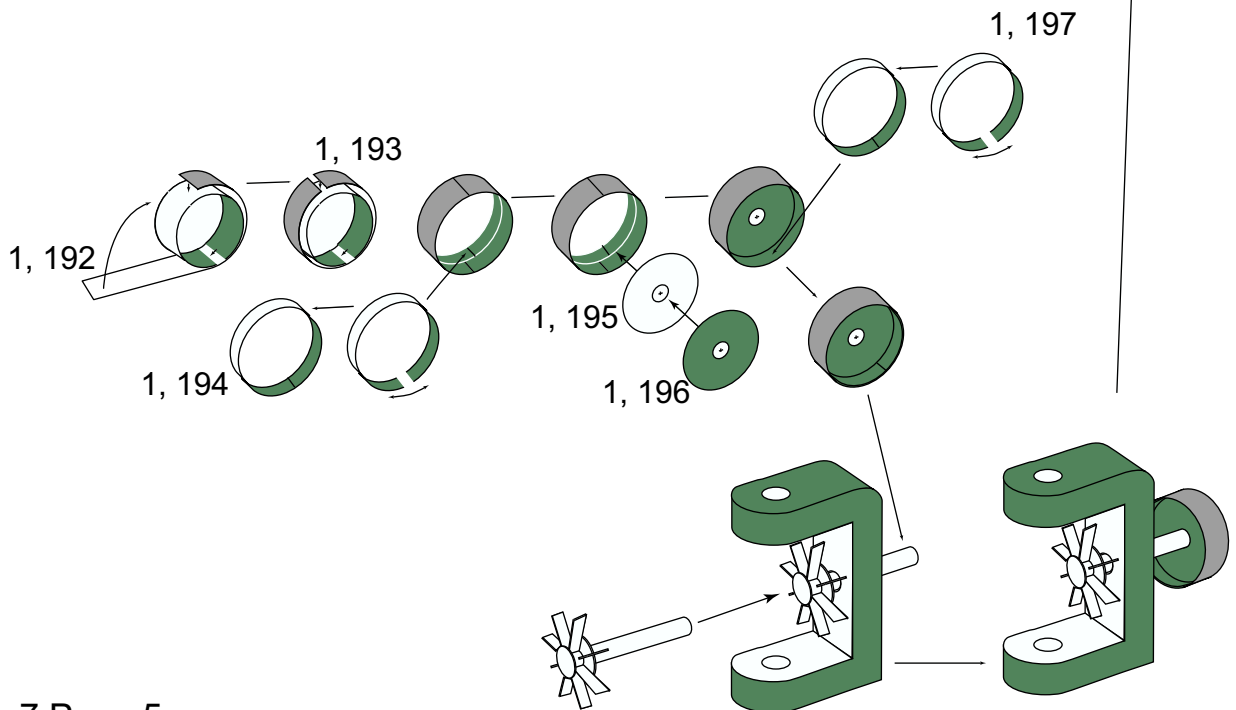
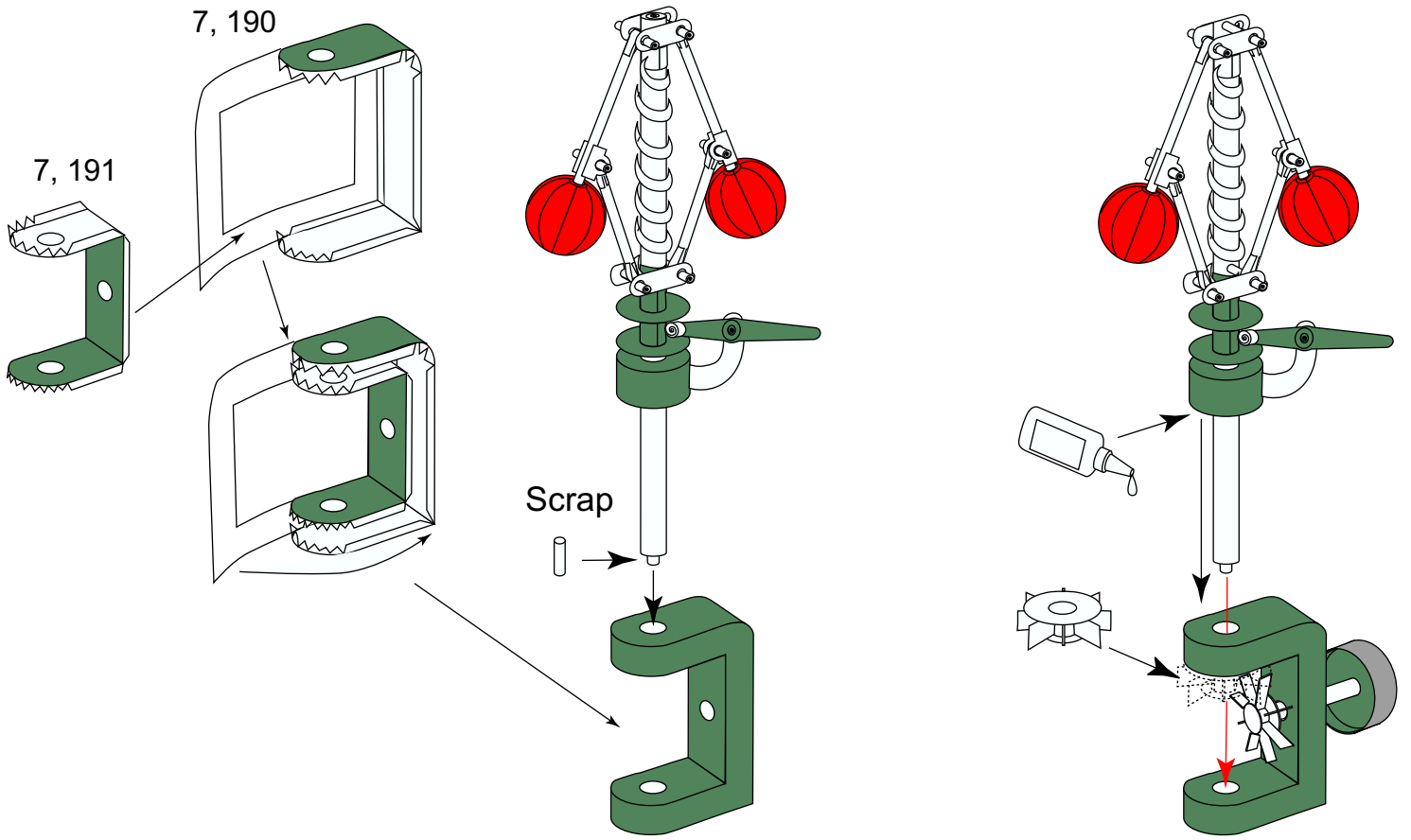
10, 147 & 148

13a. Scrap





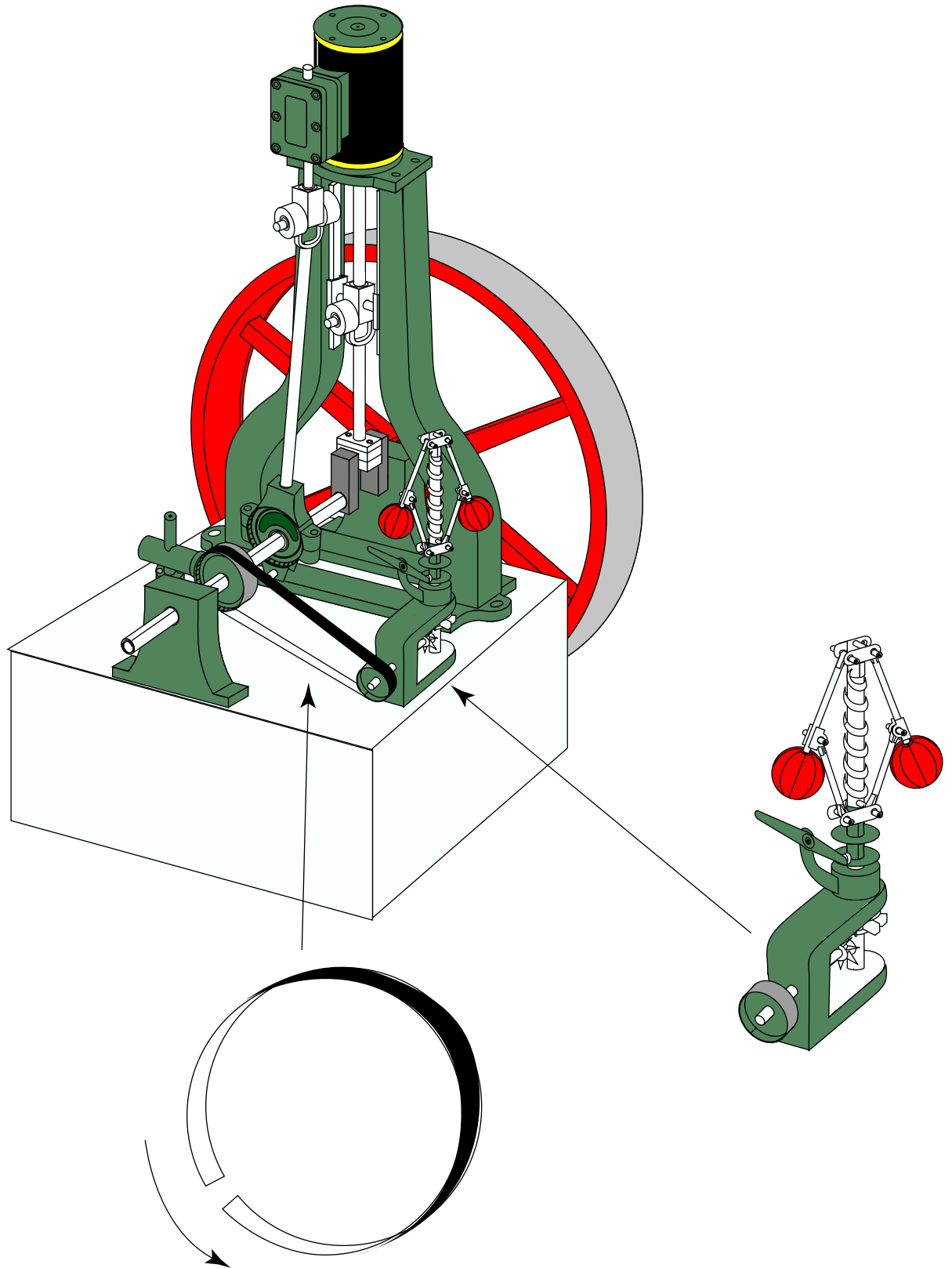


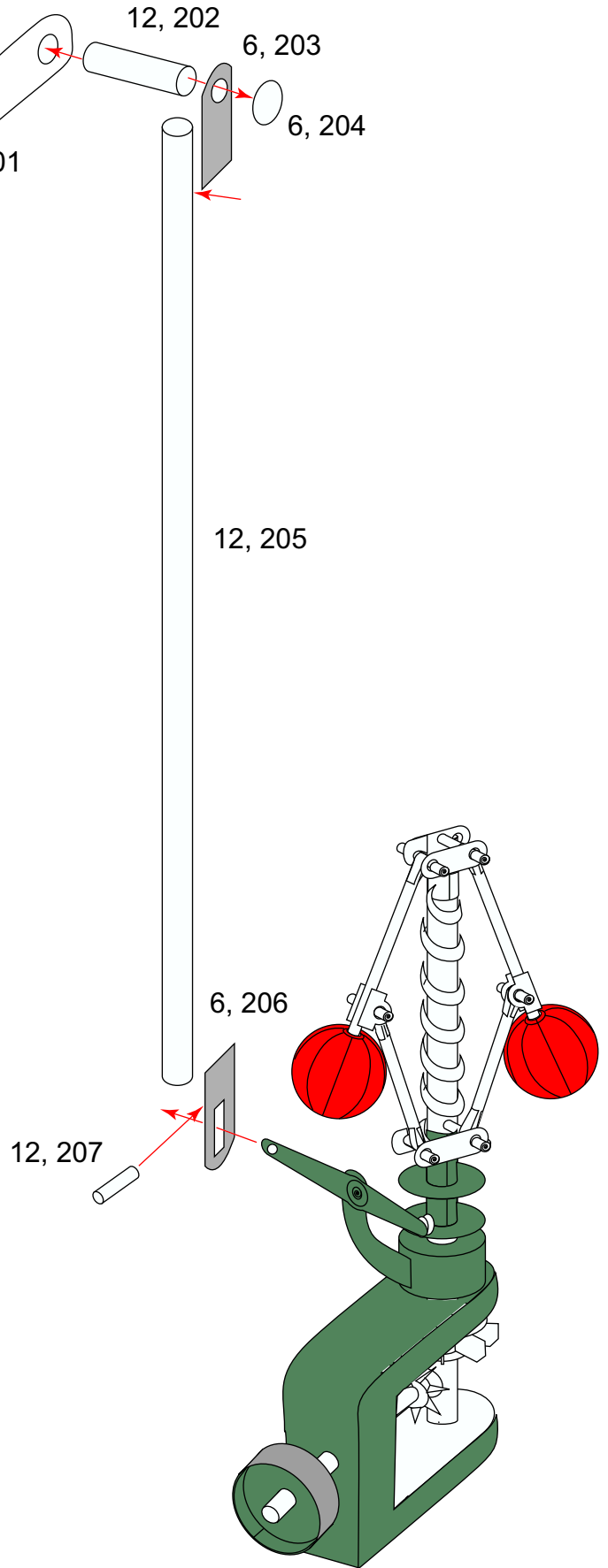
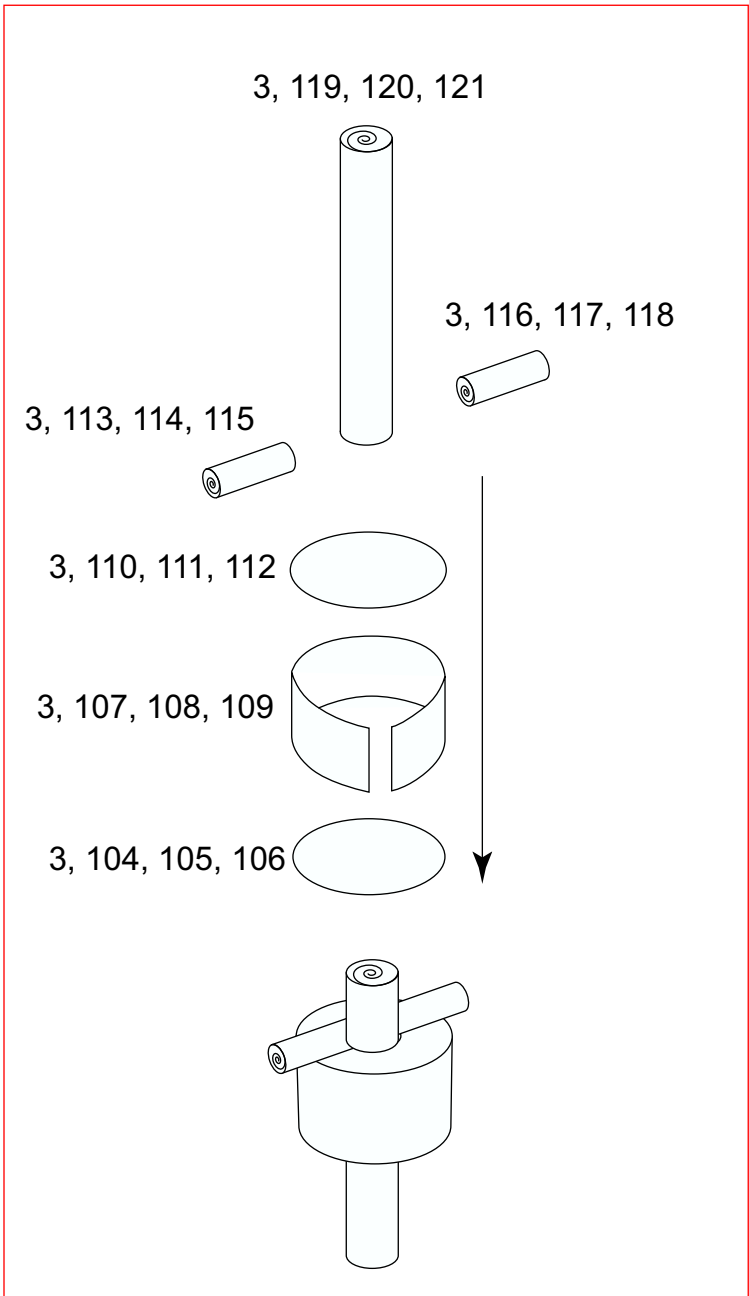
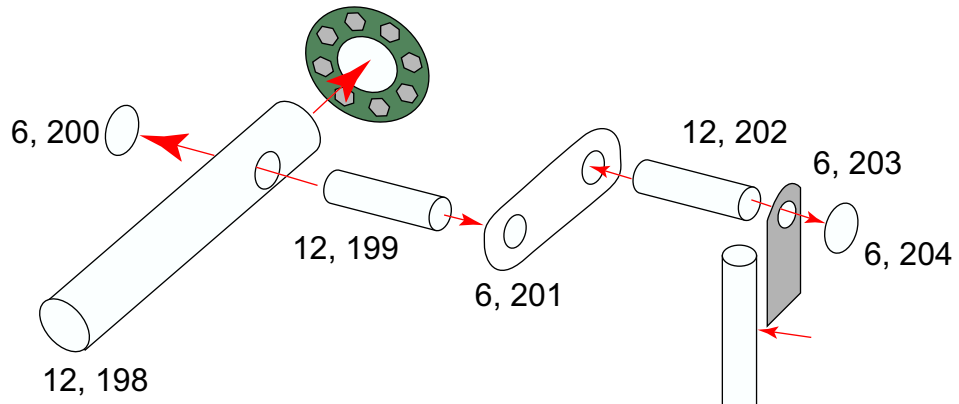


Section 7

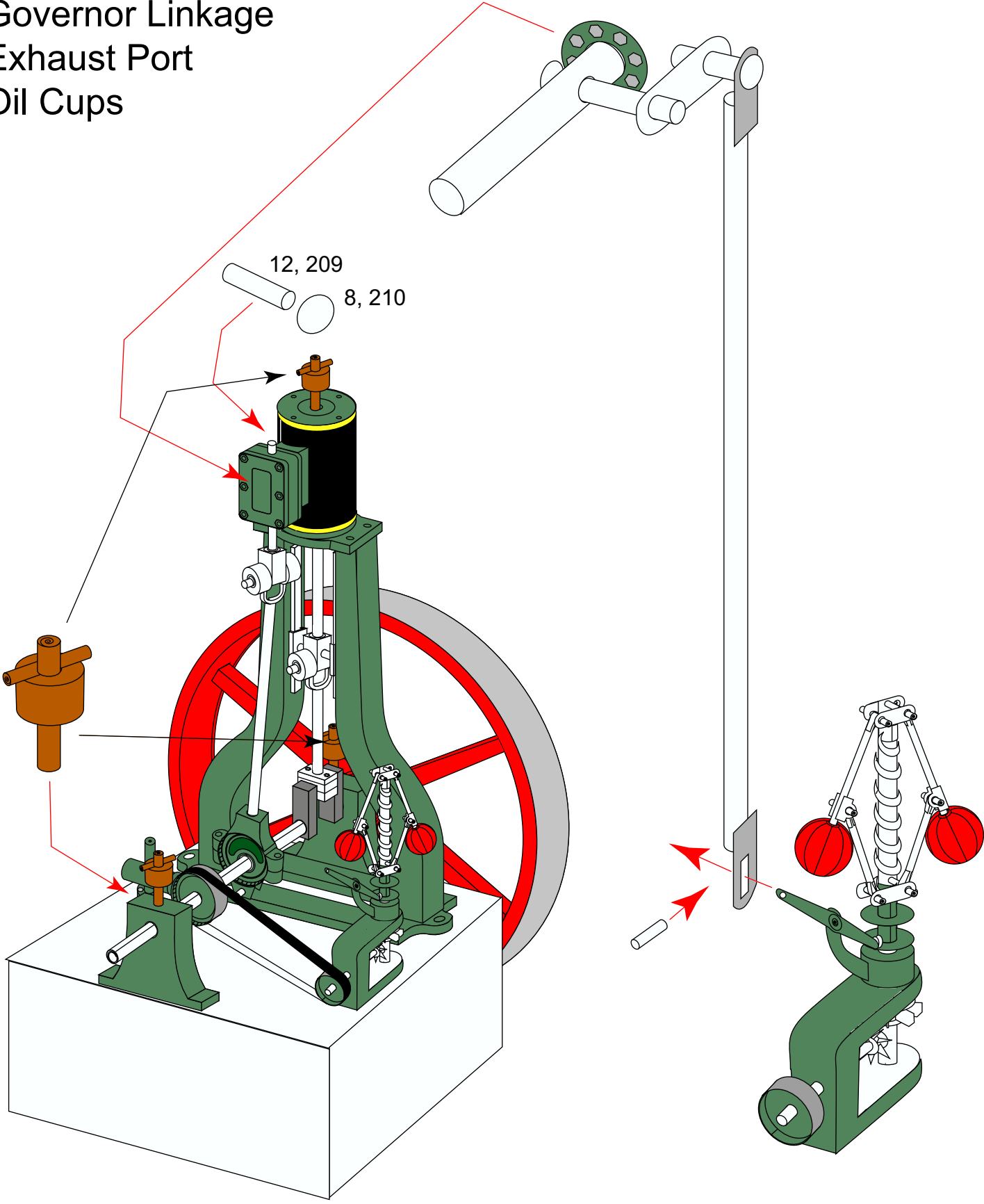
Final Assembly

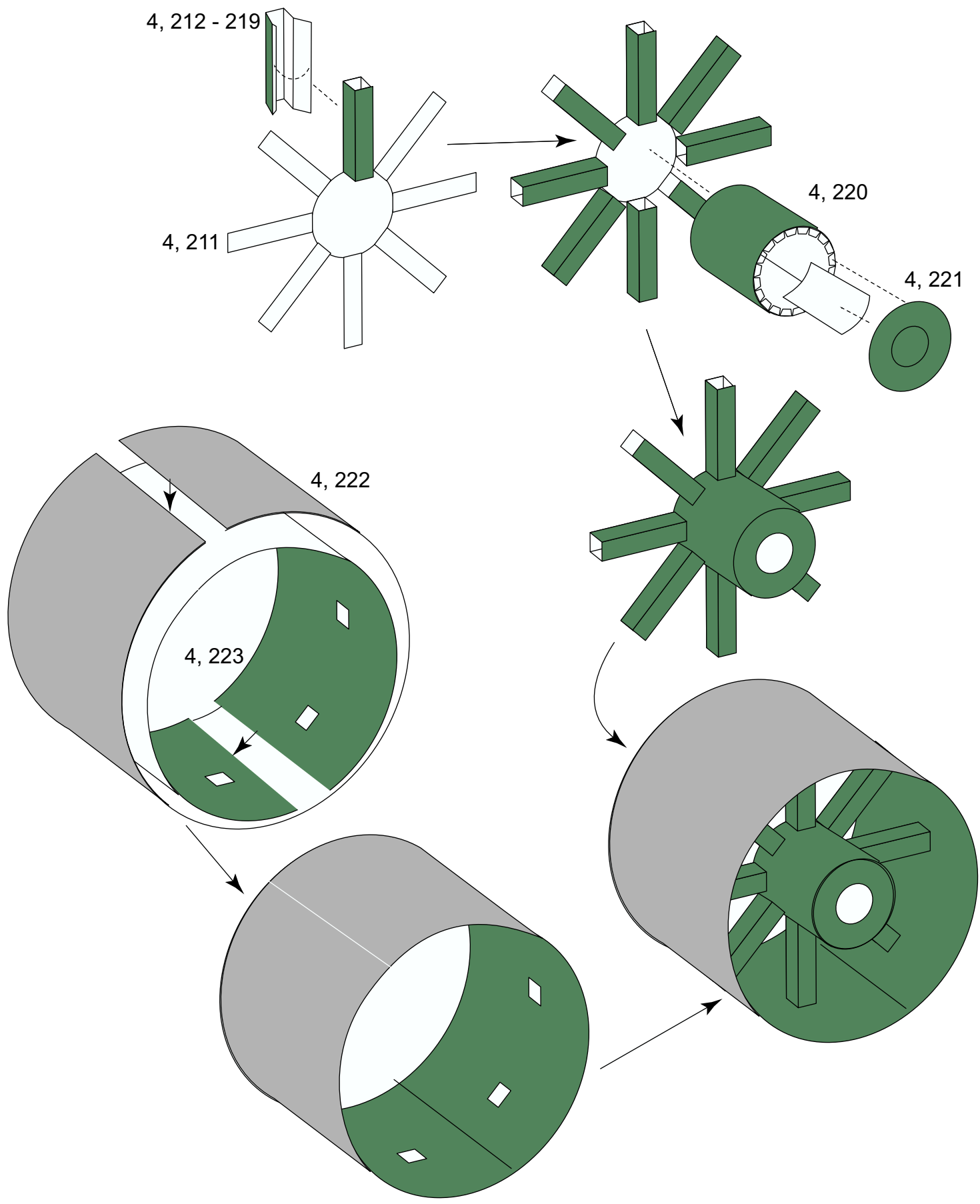
Watt Governor





Section 8
Final Assembly
Governor Linkage
Exhaust Port
Oil Cups





Section 9
Final Assembly
Drive Wheel

